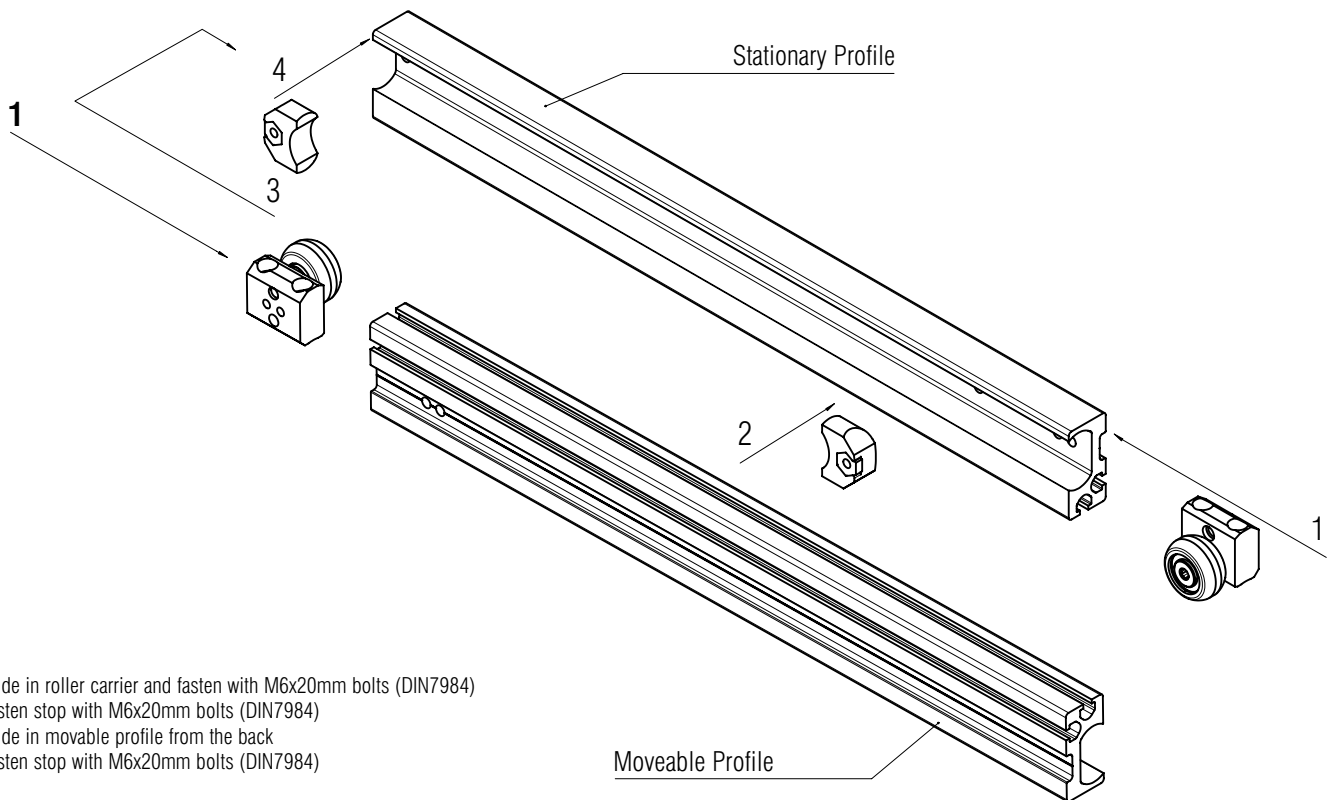


FR 9000

SLIDE TYPE:	Regular-Extension Aluminium Drawer Slide
MOUNTING:	Bottom and Side Mount

WIDTH:	56 mm
LOAD CAPACITY:	dynamic up to 200 kg



- 1.) slide in roller carrier and fasten with M6x20mm bolts (DIN7984)
- 2.) fasten stop with M6x20mm bolts (DIN7984)
- 3.) slide in movable profile from the back
- 4.) fasten stop with M6x20mm bolts (DIN7984)

EXAMPLE FR9000 REGULAR EXTENSION:

- ▶ 2 outer profiles with 4 stops and 2 roller carriers
- ▶ 2 inner profiles with 2 roller carriers
- ▶ all profiles have the same length, extension to one side

EXAMPLE FR9000 REGULAR EXTENSION:

- ▶ 2 outer profiles with 4 stops
- ▶ 2 inner profiles with 4 roller carriers
- ▶ different lengths of profiles, extension to both sides

EXAMPLE FR9000 TABLE EXTENSION:

- ▶ 2 outer profiles with 6 stops
- ▶ table top with roller carriers arranged in pairs

Individual components for Fabricators:		Order No.
Extruded Profile	Length 6140 mm	▶ 9201
rollers and stops/Regular Extension	2 pcs. solid rollers (tolerance compensating), 2 pcs. ballbearing rollers, 4 pcs. stops, 16 pcs. M6x20mm bolts (DIN7984), 24 pcs. M6 square nuts (DIN557), Packing: 1 box	▶ 9200
Minimum order quantity, pricing and lead time on request		▶ prompt delivery

Assembled Regular Extension Slide:	Length mm	EX mm	Weight	Order No.
FR 9000. 1600 mm	1600	1120	*	*
FR 9000. 1900 mm	1900	1330	*	*
FR 9000. 2300 mm	2300	1610	*	*
Minimum order quantity, pricing and lead time on request				* on request