

# FR 311

<b>SLIDE TYPE:</b>	Regular-Extension Drawer Slide for shelves and drawers
<b>MOUNTING:</b>	Top Mount

<b>WIDTH:</b>	14 mm
<b>LOAD CAPACITY:</b>	dynamic up to 30 kg



**MATERIAL:** steel, white powder coated

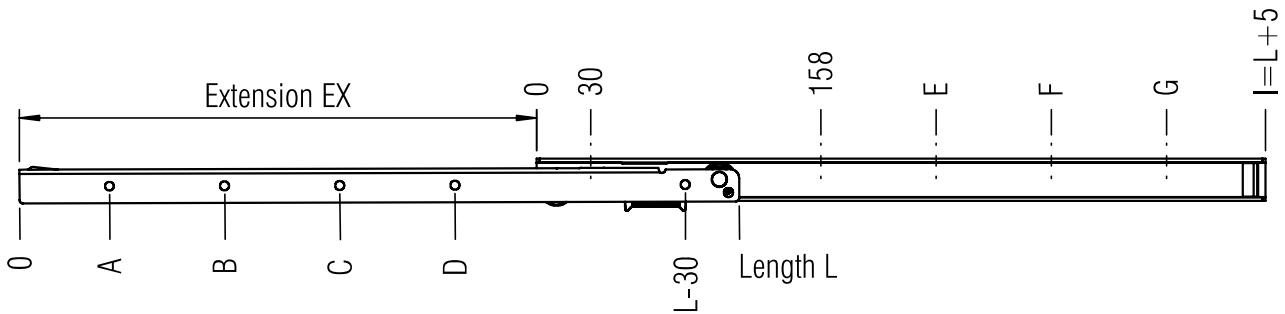
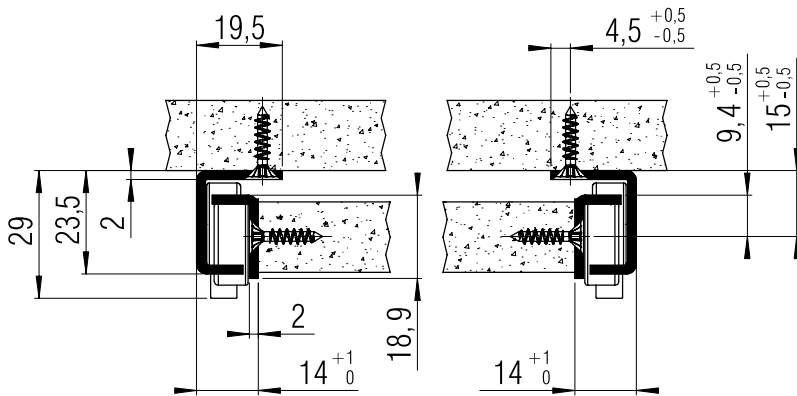
**FEATURES:** delrin\* encased steel ball bearings and solid delrin\* rollers

**SPECIFICATIONS & NOTES:**

- ▶ Attaches to the underside of a work surface
- ▶ the overrun clip in the cabinet profile prevents the drawer or shelf from accidentally disengaging
- ▶ stop in the cabinet profile

① the ideal drawer runner for adding drawers or shelves to an existing work surface

\*DuPont (TM) Delrin®



screw holes for 3,5 mm spax screws

L mm	EX mm	A mm	B mm	C mm	D mm	I mm	E mm	F mm	G mm	Weight per pair (kg)	Order No. white
300	192	46	142			305	254			0,76	▶ 3093
350	242	32	192			355	286			0,87	▶ 3094
400	287	50	242			405	350			0,97	▶ 3095
450	337	36	292			455	350			1,10	▶ 3096
500	387	22	150	342		505	350	446		1,22	▶ 3097
550	437	40	200	392		555	350	478		1,34	▶ 3098
600	487	26	250	442		605	350	542		1,45	▶ 3099
650	537	76	300	492		655	350	542		*	*
700	577	30	158	350	542	705	350	542	670	*	*
750	627	16	176	400	592	755	350	542	702	*	*

Packing Unit: 20 sets per box

▶ prompt delivery \* on request