

# FR 791

<b>SLIDE TYPE:</b>	Full-Extension Drawer Slide - Progressive-Action
<b>MOUNTING:</b>	Bottom Mount

<b>WIDTH:</b>	<b>18 mm</b>
<b>LOAD CAPACITY:</b>	dynamic up to <b>60 kg</b> (full-ext.) dynamic up to <b>45 kg</b> (over-ext.)

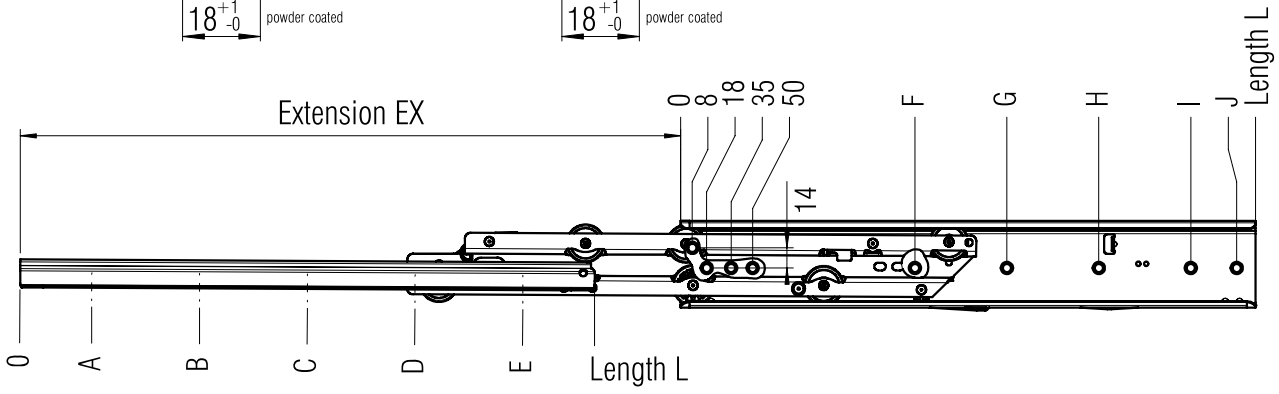
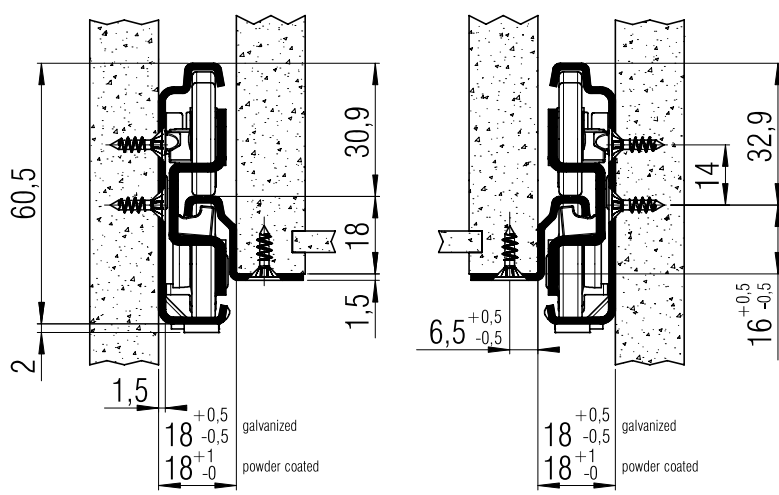


<b>MATERIAL:</b>	steel, bright galvanized or white powder coated
------------------	---

<b>FEATURES:</b>	solid delrin* rollers
------------------	-----------------------

<b>SPECIFICATIONS &amp; NOTES:</b>
<ul style="list-style-type: none"> <li>▶ cabinet and drawer profile with screw holes</li> <li>▶ high lateral stability through specially formed middle profile and guide rollers</li> <li>▶ ideal running characteristic and smoothness of running through integrated progressive-action</li> <li>▶ safety clip mounted in middle profile</li> <li>▶ double-sided captive profile</li> <li>▶ self-closing</li> <li>▶ soft stop</li> </ul>
<p>① on request compatible regular-extension drawer slide is available</p> <p>② on request available with 60 mm over-extension</p>

\*DuPont (TM) Delrin®



screw holes for 3,5 mm spax screws

L mm	EX full-ext.	EX over-ext.	A mm	B mm	C mm	D mm	E mm	F mm	G mm	H mm	I mm	J mm	Weight per pair (kg)	Order No. full-ext. galvanized	Order No. full-ext. white
350	335	410	28	156	316			163	291	323			1,73	▶ 7800	▶ 7820
400	385	460	28	156	380			163	355	387			1,99	▶ 7801	▶ 7821
450	435	510	28	156	316	412		163	355	387			2,24	▶ 7802	▶ 7822
500	485	560	28	156	348	476		163	355	451	483		2,50	▶ 7803	▶ 7823
550	535	610	28	156	348	508		163	355	483	515		2,75	▶ 7804	▶ 7824
600	585	660	28	156	348	572		195	355	547	579		3,00	▶ 7805	▶ 7825
650	635	710	28	156	348	604		163	355	515	547		3,26	▶ 7806	▶ 7826
700	685	760	28	156	348	540	668	163	355	547	643	675	3,52	▶ 7807	▶ 7827
750	735	810	28	156	348	572	732	163	355	547	611	643	3,77	▶ 7808	▶ 7828

Packing Unit: 5 sets per box

▶ prompt delivery