

FR 1052 SCC

SLIDE TYPE:	Regular-Extension Drawer Slide
MOUNTING:	Side Mount

WIDTH:	18 mm
LOAD CAPACITY:	dynamic up to 50 kg

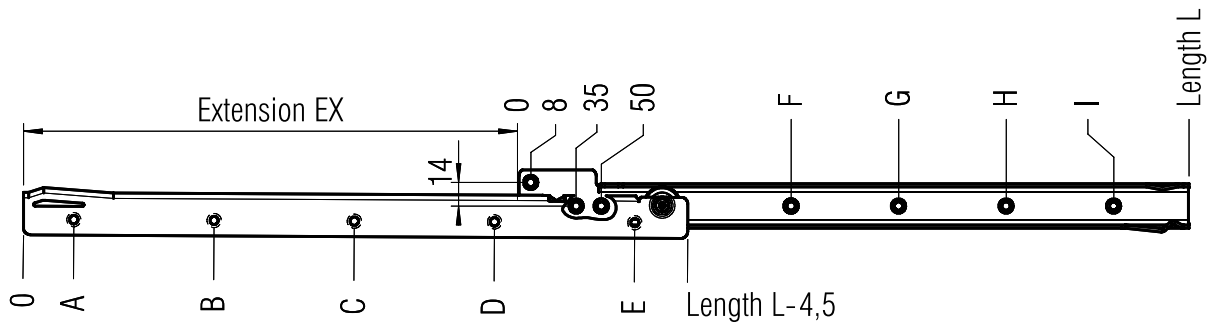
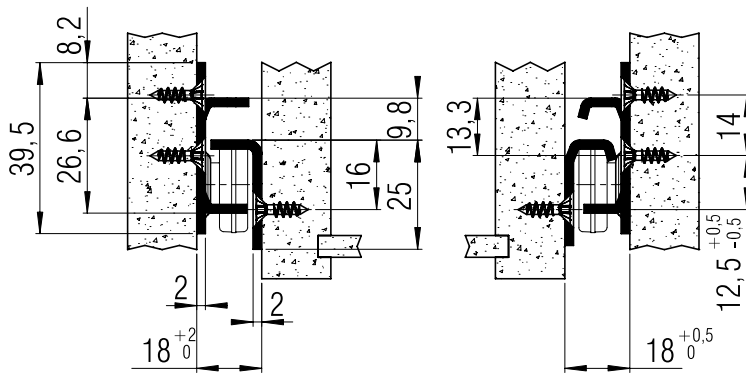
NSF



MATERIAL: stainless steel 1.4509 (SCC)

FEATURES: silent rollers

- SPECIFICATIONS:**
- ▶ cabinet and drawer profile with screw holes
 - ▶ lateral stability provided by specially shaped profiles
 - ▶ single-sided captive profile (right)
 - ▶ rear backstop
 - ▶ self closing
-
- ① compatible with full-extension drawer slide FR 790 SCC



screw holes for 3,5 mm spax screws

L mm	EX mm	A mm	B mm	C mm	D mm	E mm	F mm	G mm	H mm	I mm	Weight per pair (kg)	Order No.
400	294	28	156	348			163	355			0,97	▶ 1601
450	344	28	156	348			163	355			1,09	▶ 1602
500	394	28	156	348	444		163	355	451		1,21	▶ 1603
550	424	28	156	348	476		163	355	483		1,33	▶ 1604
600	474	28	156	348	540		195	355	547		1,45	▶ 1605
650	524	28	156	348	540		163	355	547		1,57	▶ 1606
700	574	28	156	380	540	664	163	355	547	643	*	*
750	624	28	156	348	572	714	163	355	547	643	*	*

Packing Unit: 10 sets per box

▶ prompt delivery * on request