

FR 2021

SLIDE TYPE:	Regular-Extension Drawer Slide
MOUNTING:	Bottom Mount

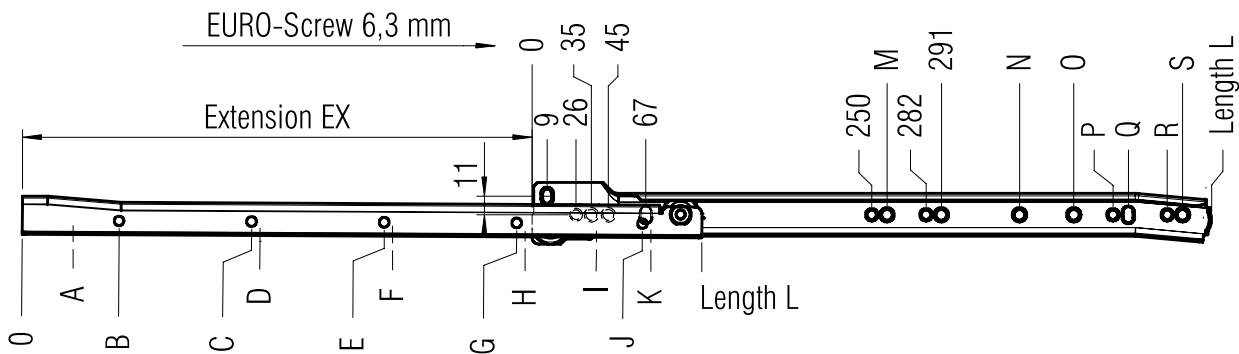
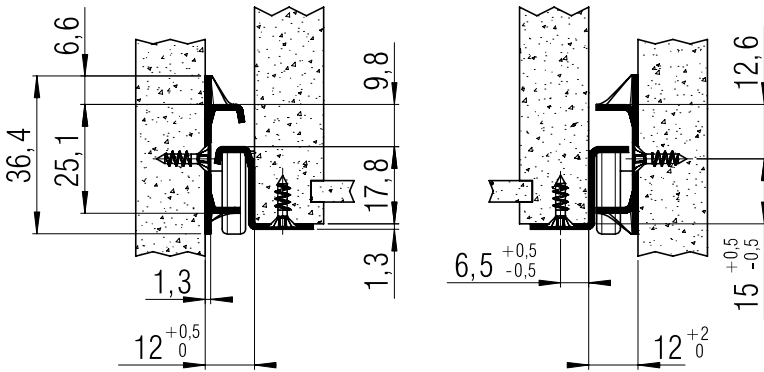
WIDTH:	12 mm
LOAD CAPACITY:	dynamic up to 35 kg



MATERIAL:	steel, white powder coated
------------------	----------------------------

FEATURES:	solid delrin* rollers
------------------	-----------------------

SPECIFICATIONS & NOTES:
<ul style="list-style-type: none"> ▶ lateral stability provided by specially shaped profiles ▶ integrated side adjustment - clearance adjustable up to 2 mm ▶ double hole system on cabinet profile for offset attachment to thin inside walls ▶ added strength of cabinet profile provided by special front flange ▶ oblong holes in the cabinet profile permit easy height adjustments ▶ dual detent in the drawer profile holds the drawer in place when extended ▶ single-sided captive profile (left) ▶ self-closing
<p>① compatible with full-extension drawer slide FR 6500 in the 32 mm system</p>



screw holes for 3,5 mm spax screws / 6,3 mm EURO screws

L	EX	A	B	C	D	E	F	G	H	I	J	K	M	N	O	P	Q	R	S	Weight	Order No.
mm	mm	mm	mm	mm	mm	mm	mm	mm	mm	mm	mm	mm	mm	mm	mm	mm	mm	mm	mm	per pair (kg)	white
300	215	46	73	137	142					238	265	270					259			0,55	▶ 7065
350	265	32	91	187	192					288	315	320		323			259			0,63	▶ 7066
400	300	18	77	173		237	242			338	365	370	259	355		378	387			0,71	▶ 7067
450	350	36	95	159		287	292			388	415	420	259	387		410	419	442		0,79	▶ 7068
500	400	22	81	113	118	337	342			438	465	470	259	387	419	442	451	474	483	0,87	▶ 7069
550	430	40	99	163	168	387	392			488	515	520	259	483		506	515	538		0,96	▶ 7070
600	480	26	85	213	218	437	442			538	565	570	259			506	515	538	547	1,04	▶ 7071
650	530	44	71	135		263	268	487	492	588	615	620	259			506	515	538	547	1,13	▶ 7072
700	560	30	89	185	190	313	318	537	542	638	665	670	259			506	515	538	547	1,21	▶ 7082

Packing Unit: 20 sets per box

▶ prompt delivery