

53131

Full Extension Slide
Heavy Duty Slide

Applications:

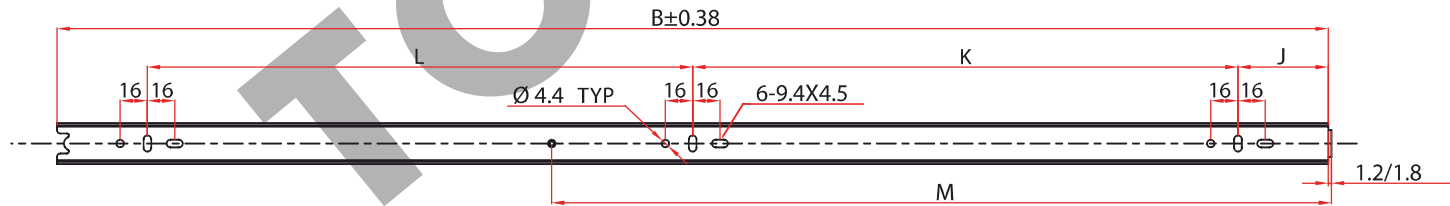
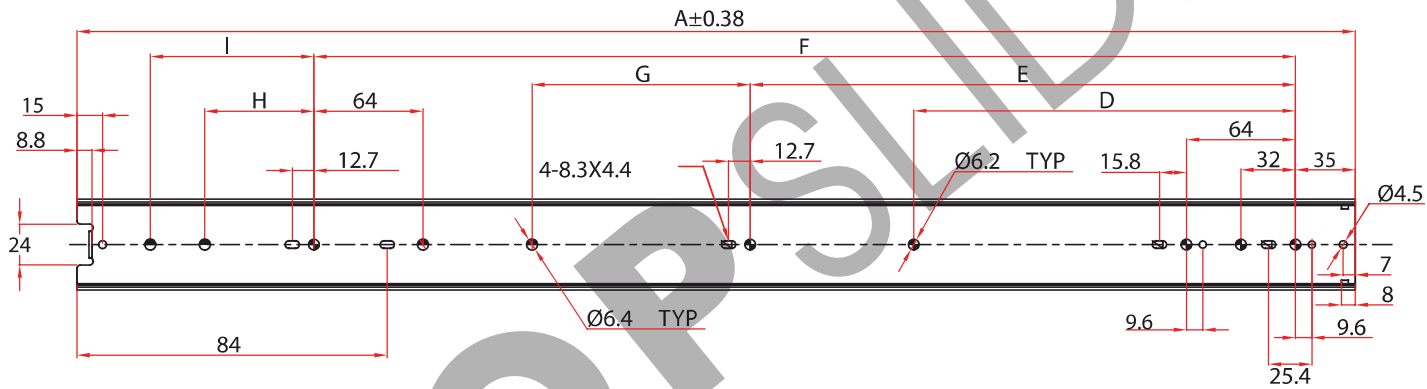
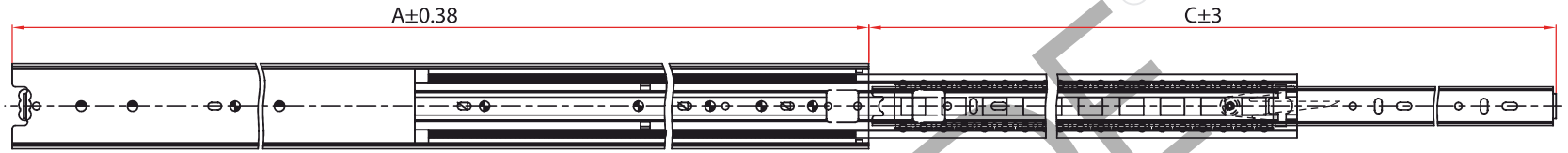
- Contract office
- Automotive
- Medical Furniture
- Cabinets/Tooltrolley

Features:

- Up to 75 kg load rating
- Full extension
- Trigger disconnect
- Positive stop
- Detent-in
- Side mounted
- Non handed
- 32mm system hole pattern
- Zinc finish

Options:

- Available with bayonet tabs
- Sizes: 350mm - 1050 mm



A	B	C	D	E	F	G	H	I	J	K	L	M	↓ ↓ ↓ ↓
350	346	350	224	256					53	112	142	240,5	50
400	396	400	224	288					53	132	172	266,5	50
450	446	450	224	288	352				53	157	196	292,5	65
500	496	500	224	288	416	64			53	182	221	318,5	75
550	546	550	224	288	416	64	32	64	53	212	242	343,5	75
600	596	600	224	320	480	64			53	222	281	375,5	75
650	646	650	224	352	544				53	247	306	405,5	65
700	696	700	224	352	576				53	272	331	405,5	65
800	796	800	224	352	626				53	330	360	480,8	60
900	896	900	224	512	726				53	380	410	531,8	60
1050	1046	1050	224	608	876				53	460	480	609,0	60

Model No. 5313-1
Full Extension Slide

Ver.2. 20.11.2019

© TOPSLIDE International

TOPSLIDE reserve the right to amend specifications without notice.