

TOP SLIDE[®]

INTERNATIONAL

5819
Full Extension Slide
 Heavy Duty Slide

Applications:

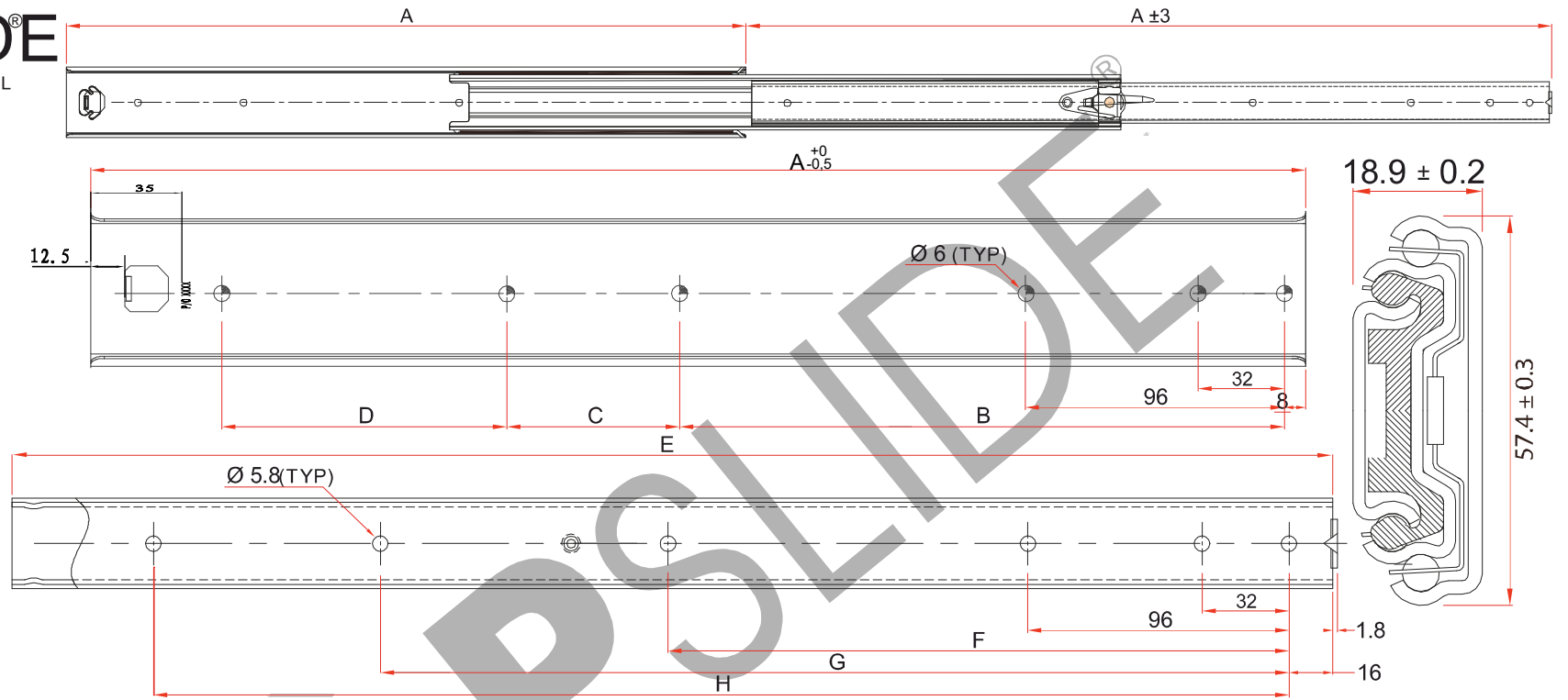
- Contract office
- Automotive
- Medical furniture

Features:

- Up to 100kg load rating
- Full extension
- Positive stop
- Detent-in
- Trigger disconnect
- Side mounted
- Non handed
- 32mm system hole pattern
- Zinc finish

Options:

- Available with bayonet tabs
- Self closing feature
- Sizes: 400mm-1500mm



A	400	450	500	550	600	700	850	1000	1200	1400	1500
B	224	224	224	224	224	224	288	350	352	352	352
C	128	160	160	160	160	192	256	228	288	256	320
D			64	96	160	224	256	228	288	512	512
E	393	443	493	543	593	693	843	993	1193	1395	1493
F	224	224	192	224	224	224	288	320	320	320	320
G	320	384	320	352	384	416	544	578	512	576	608
H			448	480	544	640	768	928	704	896	960
Kg	100	100	100	100	100	95	90	80	75	75	75

Model No. 5819
Full Extension Slide

Ver.4.10-08-2020

© TOPSLIDE International

TOPSLIDE reserve the right to amend specifications without notice.