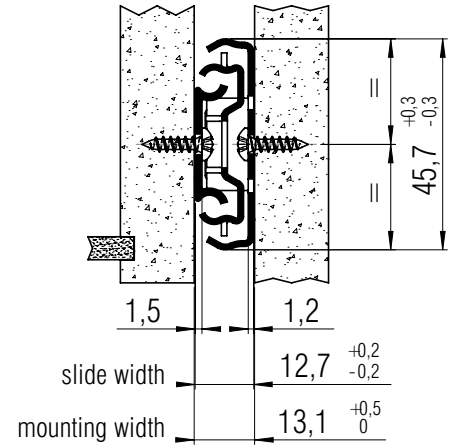


FR 5002 CNS

SLIDE TYPE:	Full-Extension Linear Ball Bearing Drawer Slide - Telescopic-Action
MOUNTING:	Side Mount

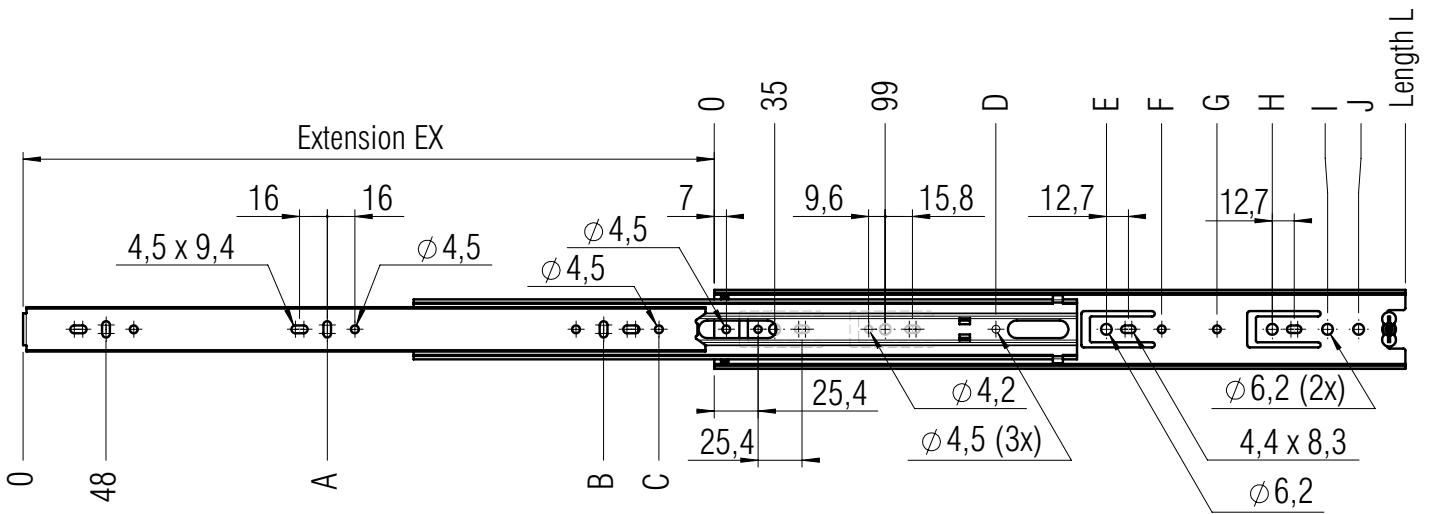
WIDTH:	13,1 mm
LOAD CAPACITY:	dynamic up to 45 kg



MATERIAL:	stainless steel (1.4301)
------------------	--------------------------

FEATURES:	linear steel ball bearings
------------------	----------------------------

- SPECIFICATIONS:**
- ▶ universal hole pattern
 - ▶ drawer removal by depressing lever in drawer profile
 - ▶ stay-closed feature holds drawer in closed position
 - ▶ tolerance absorbing mounting tabs



screw holes for 3,5 mm spax screws

L mm	EX mm	A mm	B mm	C mm	D mm	E mm	F mm	G mm	H mm	I mm	J mm	Weight per pair (kg)	Order No. CNS
250	250		208			195	230					*	*
300	300		240	272	163	227	259	279				*	*
350	350	144	304		163	259	317	331				*	*
400	400	176	336	368	163	259		317	355		380	1,2	▶ 5113
450	450	208	400	319	163	259		317	387		430	1,3	▶ 5114
500	500	240	464	345	163	259		317	451		480	1,5	▶ 5115
550	550	272	496	371	163	259	317	387	483	515	530	1,7	▶ 5116
600	600	272	560			259	317	387	515		579	1,8	▶ 5117
650	650	304	592			259	317	387	579		630	*	*
700	700	304	656			259	317	387	611		680	*	*
750	750	304	688			259	317	387	675		730	*	*

Packing Unit: 10 sets per box

▶ prompt delivery *on request