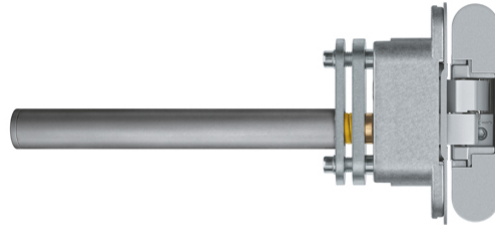


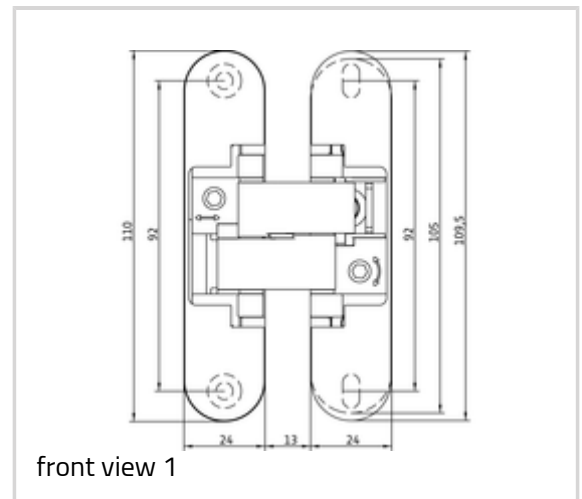
## AN 108 3D SC45

with integrated closing and damping function  
for residential doors up to 45 kg



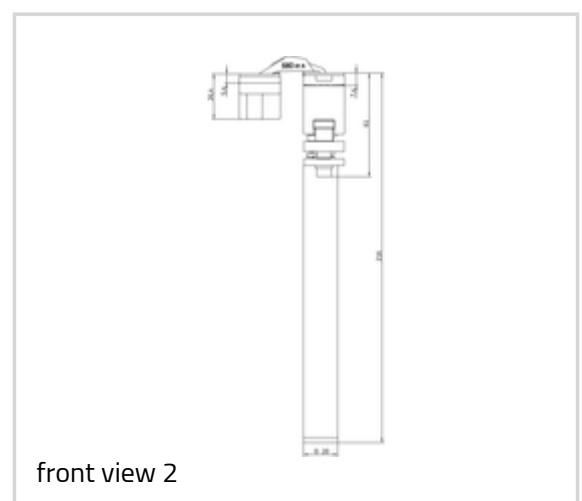
### Product features

- self closing hinge system with integrated damping function
- closing power up to 45 kg
- completely concealed hinge system
- for timber frames
- for unrebated residential doors
- 3D adjustable (side +/- 1,5 mm, height +/- 2,5 mm, compression +/- 1,0 mm)
- material zamak



### Technical details

Attributes	Value
Overall length	110,0 mm
Width (door part)	24,0 mm
Width (frame part)	24,0 mm
Cutter diameter	14,0 or 16,0 mm
Collar ring diameter	25,0 or 27,0 mm
Opening angle	180°



### Note

## Anselmi - AN 108 3D SC45

The closing power mentioned above refers to the use of one self closing hinge per door leaf (900 x 2100 mm).

The self closing hinge has to be used only in combination with the given hinges and has to be installed at half the height of the door leaf, approximately at the same height of the lock (magnetic lock recommended).

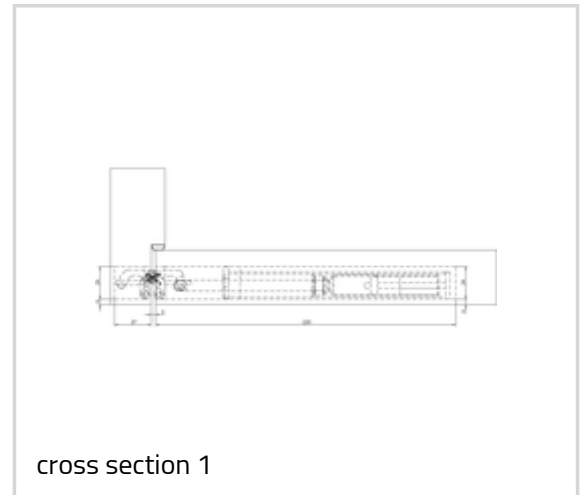
The installation on doors subject to specific norms has to be verified by the customer according to the national law.

### Combinations

AN 140 3D FZ

### Item

Finish(es) OF-NR. DIN	AN 014-Satin Chrome 014 DIN right and left hand
Finish(es) OF-NR. DIN	AN 017-Coated Bronze 017 DIN right and left hand
Finish(es) OF-NR. DIN	AN 018-Black 018 DIN right and left hand
Finish(es) OF-NR. DIN	AN 036-Aluminium Chrome 036 DIN right and left hand
Finish(es) OF-NR. DIN	AN 037-Polished Brass 037 DIN right and left hand
Finish(es) OF-NR. DIN	AN 039-Polished Chrome 039 DIN right and left hand
Finish(es) OF-NR.	AN 044-Satin Nickel 044



---

**Anselmi - AN 108 3D SC45**

DIN	DIN right and left hand
Finish(es)	AN 049-RAL 9016 Traffic White
OF-NR.	049
DIN	DIN right and left hand
Finish(es)	AN 035-Antique Bronze
OF-NR.	035
DIN	DIN right and left hand