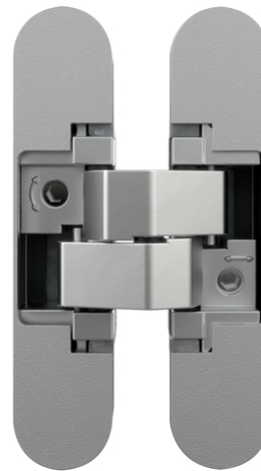


AN 160 3D

for unrebated residential doors up to 60 kg



Product features

- completely concealed hinge system
- for timber frames
- for unrebated residential doors
- 3D adjustable (side +/- 1,5 mm, height +/- 2,5 mm, compression +/- 1,0 mm)
- material zamak

Technical details

Attributes	Value
Load capacity	60,0 kg
Overall length	110,0 mm
Width (door part)	24,0 mm
Width (frame part)	24,0 mm
Cutter diameter	14,0 or 16,0 mm
Collar ring diameter	25,0 or 27,0 mm
Opening angle	180°

Note

The load capacity mentioned above refers to the use of 2 hinges

Quality marks



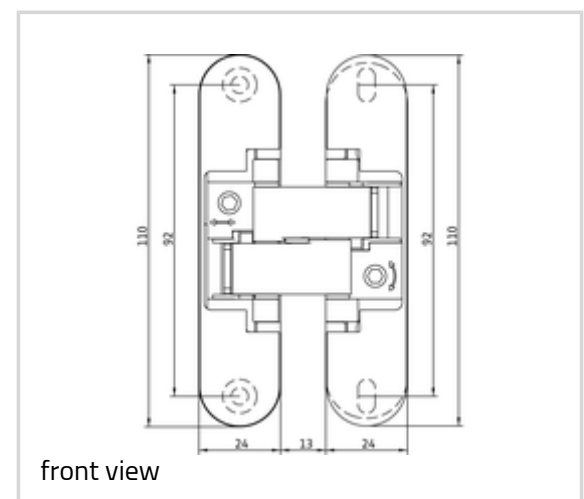
Certification IFT



Certification UL



Certification CE



Anselmi - AN 160 3D

per door leaf (900 x 2100 mm).

Suggested screws:

Frame side: Countersunk head screw DIN 7505 A, Diameter 4,5 mm

Door side: Pan head screw DIN 7505 B, Diameter 4,5 mm

Combinations

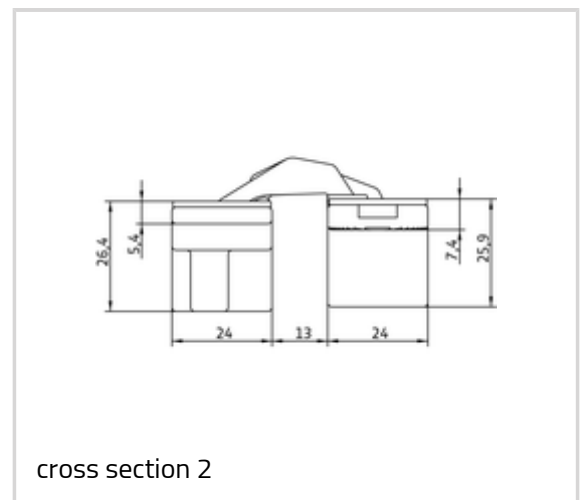
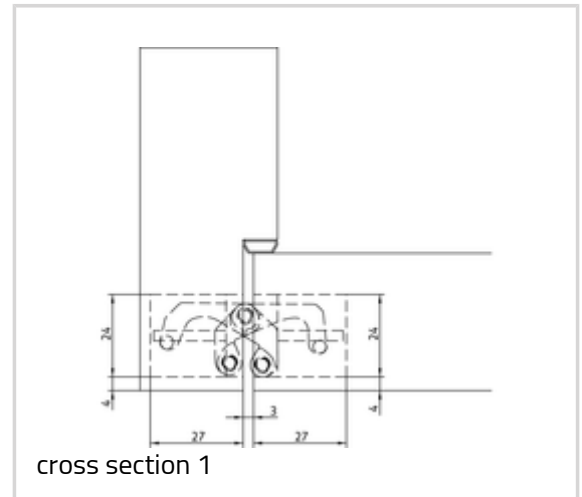
AN 107 3D C40

AN 107 3D C60

AN 140 3D FZ

Item

Finish(es)	AN 014-Satin Chrome
OF-NR.	014
DIN	DIN right and left hand
Finish(es)	AN 044-Satin Nickel
OF-NR.	044
DIN	DIN right and left hand
Finish(es)	AN 017-Coated Bronze
OF-NR.	017
DIN	DIN right and left hand
Finish(es)	AN 049-RAL 9016 Traffic White
OF-NR.	049
DIN	DIN right and left hand
Finish(es)	AN 018-Black
OF-NR.	018
DIN	DIN right and left hand
Finish(es)	AN 037-Polished Brass
OF-NR.	037
DIN	DIN right and left hand
Finish(es)	AN 036-Aluminium Chrome
OF-NR.	036
DIN	DIN right and left hand



Anselmi - AN 160 3D

Finish(es)	AN 039-Polished Chrome
OF-NR.	039
DIN	DIN right and left hand

Finish(es)	AN 035-Antique Bronze
OF-NR.	035
DIN	DIN right and left hand