

TOPSLIDE®

INTERNATIONAL

CC44 Concealed Comfort Close

Under mount slide with soft close

Applications:

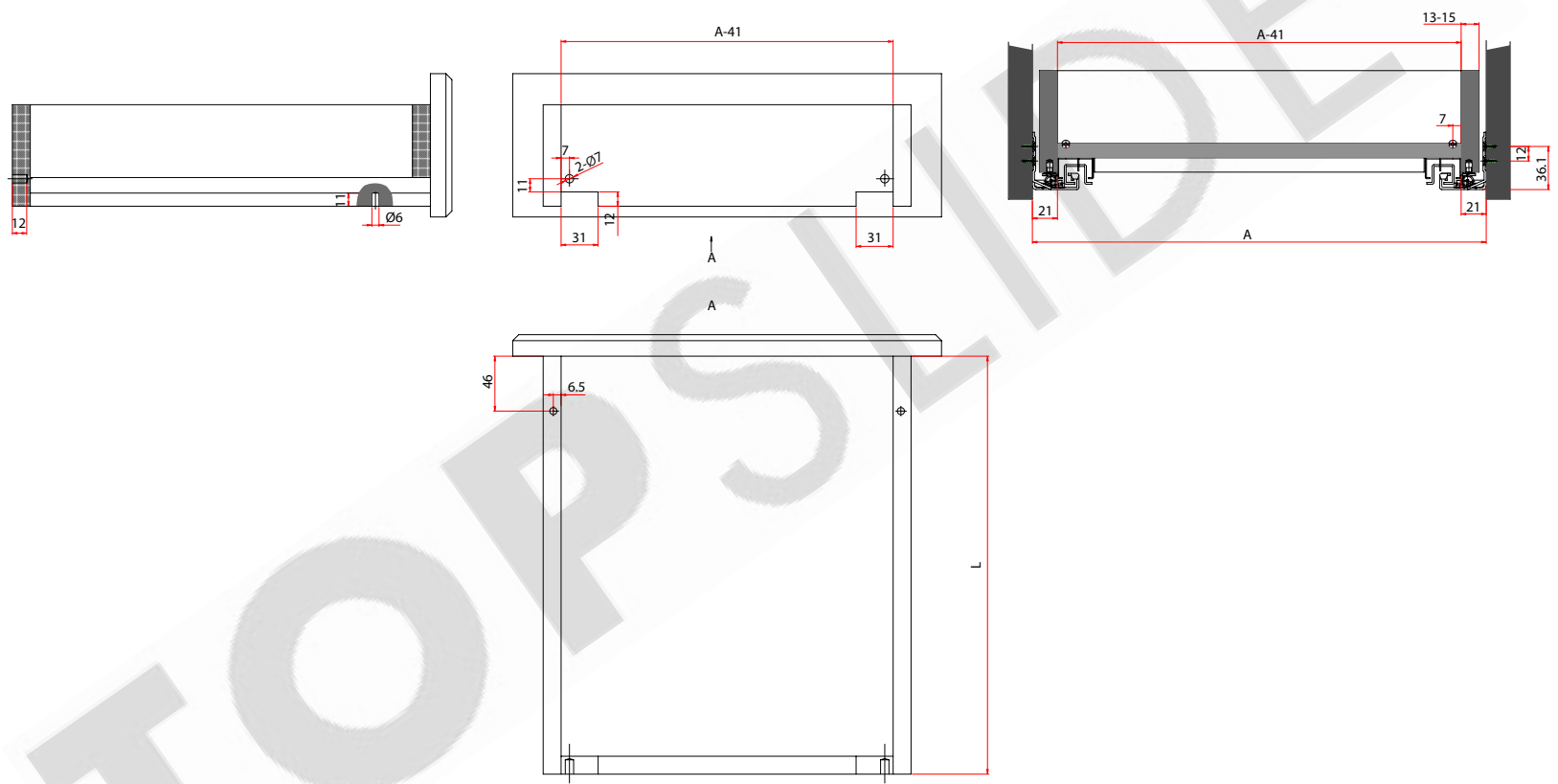
- Kitchens
- Closets
- Home furniture
- Office furniture

Features:

- 75 lb./ 32kg load rating
- Full extension
- Side mounted
- Soft close
- Adjustment of drawer front
- 32mm system hole pattern
- Zinc finish

Options:

- Available with clips
- Sizes: 300mm - 550mm



Length	CC44-300	CC44-350	CC44-400	CC44-450	CC44-500	CC44-550
L	300	350	400	450	500	550
LI	319	369	419	469	519	569
?	10	10	10	10	10	10

Model No. CC44 Concealed Comfort Close

© TOPSLIDE International
Top Slide reserve the right to amend specifications without notice.

TOPSLIDE[®]

INTERNATIONAL

CC44 Concealed Comfort Close

Under mount slide with soft close

Applications:

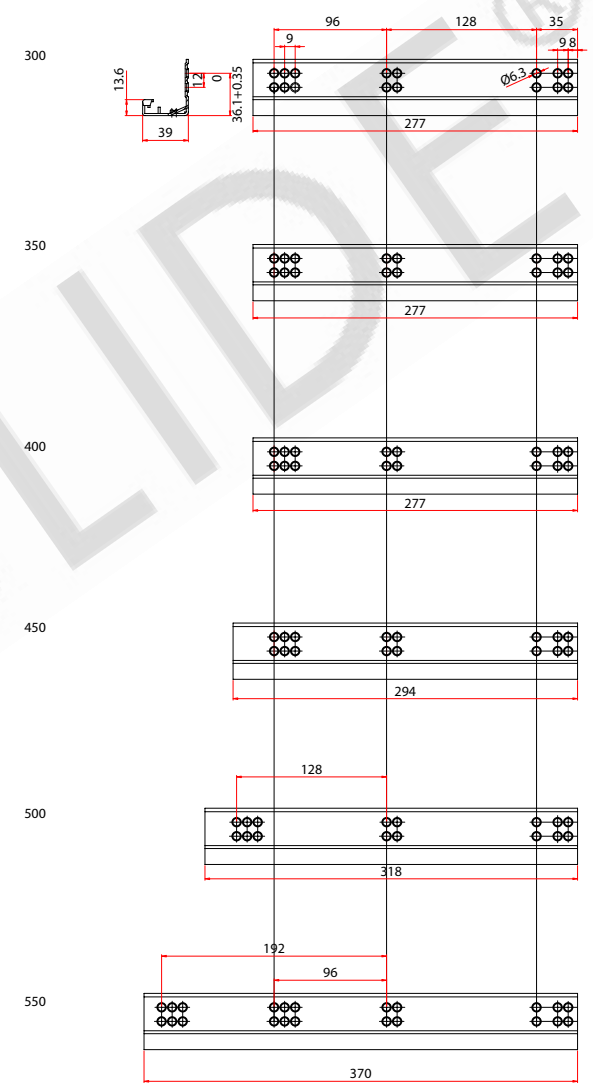
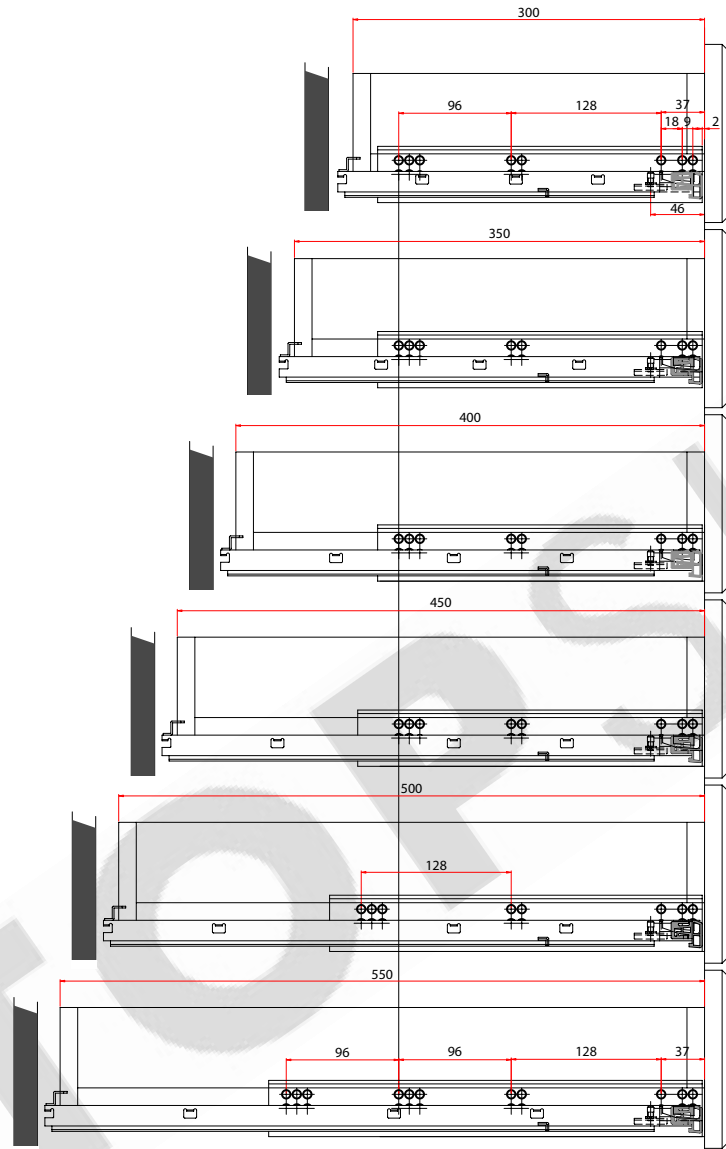
- Kitchens
- Closets
- Home furniture
- Office furniture

Features:

- 75 lb./ 32kg load rating
- Full extension
- Side mounted
- Soft close
- Adjustment of drawer front
- 32mm system hole pattern
- Zinc finish

Options:

- Available with clips
- Sizes: 300mm - 550mm



Model No. CC44 Concealed Comfort Close