

TEG 310 2D 60

for flush glass doors

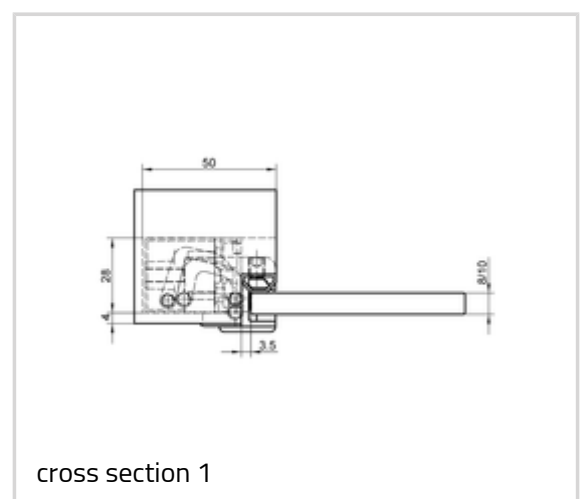
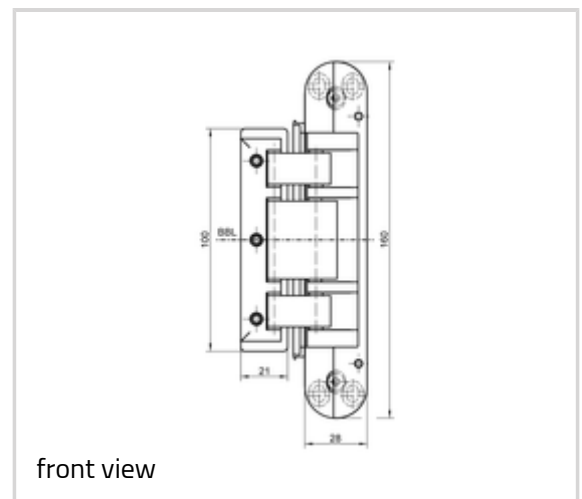


Product features

- for flush glass doors
- for 8-10 mm ESG-glass
- without drilling the door leaf
- for timber, steel or aluminium frames
- continuous side adjustment (+ 3,0/- 2,0 mm)
- continuous height adjustment with additional fine tune adjustment (+/- 1,0 mm)
- maintenance-free slide bearings
- rebate width 11-15 mm

Technical details

Attributes	Value
Load capacity	60,0 kg
Overall length	160,0 mm
Width (frame part)	28,0 mm
Cutter diameter	24,0 mm
Opening angle	180°



Note

The load capacity mentioned above refers to the use of 2 hinges

TECTUS - TEG 310 2D 60

per door leaf (1 x 2 m), for detailed information please look at the chapter "technical information".

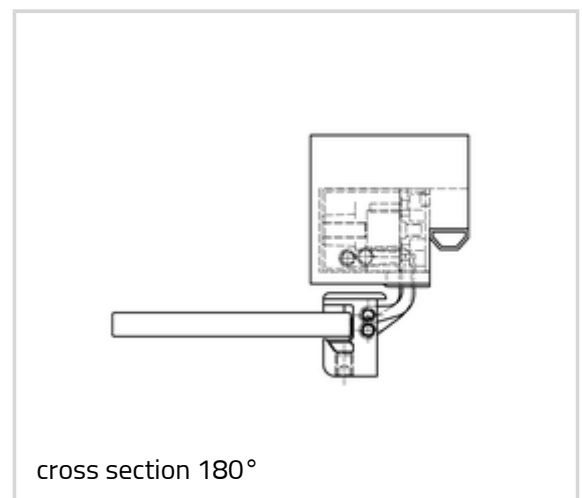
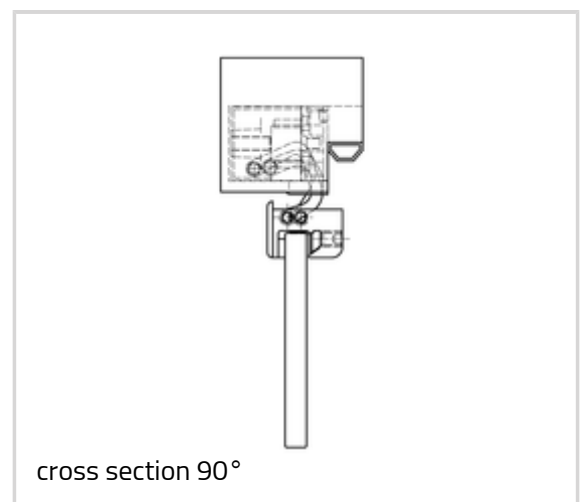
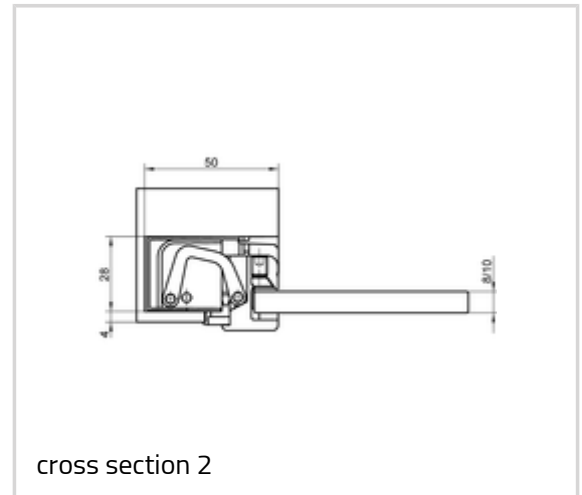
With an opening position of 180° the door may have to be fixed additionally.

Combinations

KC 170
 KC 170/1 Lock
 KC 50
 KC 25 Lock
 KC 50/G
 KC 25/G Lock
 TE 340 3D FZ/1
 TEG 310 2D SZ

Item

Finish(es)	040-Satin Stainless Steel
OF-NR.	040
VPE	pack of 2
DIN	DIN right and left hand
Item No.	5 400720 0 04002
EAN	4015471131388
Finish(es)	057-RAL 9016 Traffic White F
OF-NR.	057
VPE	pack of 2
DIN	DIN right and left hand
Item No.	5 400720 0 05702
EAN	4015471130688
Finish(es)	301-Matte Pure Grey/NCS S 8000-N
OF-NR.	301
VPE	pack of 2
DIN	DIN right and left hand
Item No.	5 400720 0 30102
EAN	4015471130770
Finish(es)	107-RAL 9005 Matte Deep Black
OF-NR.	107



TECTUS - TEG 310 2D 60

VPE	pack of 2
DIN	DIN right and left hand
Item No.	5 400720 0 10702
EAN	4015471134372
Finish(es)	124-Satin Chrome Look (F1)
OF-NR.	124
VPE	pack of 2
DIN	DIN right and left hand
Item No.	5 400720 0 12402
EAN	4015471134334