

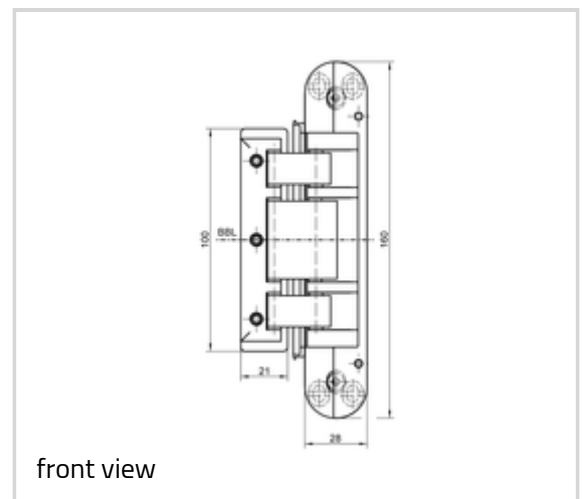
TEG 310 2D 80

for flush glass doors



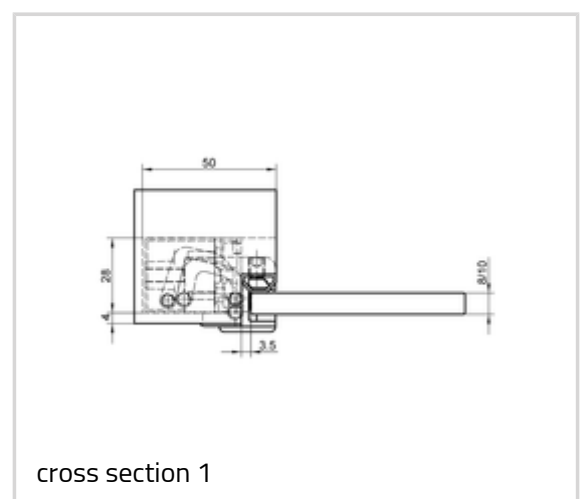
Product features

- for flush glass doors
- for 8-10 mm ESG-glass
- without drilling the door leaf
- for timber, steel or aluminium frames
- continuous side adjustment (+ 3,0/- 2,0 mm)
- continuous height adjustment with additional fine tune adjustment (+/- 1,0 mm)
- maintenance-free slide bearings
- rebate width 11-15 mm



Technical details

Attributes	Value
Load capacity	80,0 kg
Overall length	160,0 mm
Width (frame part)	28,0 mm
Cutter diameter	24,0 mm
Opening angle	180°



Note

The load capacity mentioned above refers to the use of 2 hinges

TECTUS - TEG 310 2D 80

per door leaf (1 x 2 m), for detailed information please look at the chapter "technical information".

With an opening position of 180° the door may have to be fixed additionally.

Suitable for

Universal milling frame

Template 5 251145 5

step 1

Template 5 251146 5

step 2

Template 5 251147 5

step 3

Combinations

KC 170

KC 170/1 Lock

KC 50

KC 25 Lock

KC 50/G

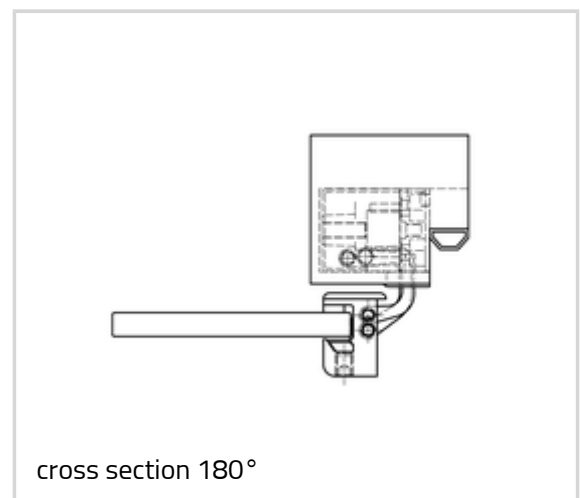
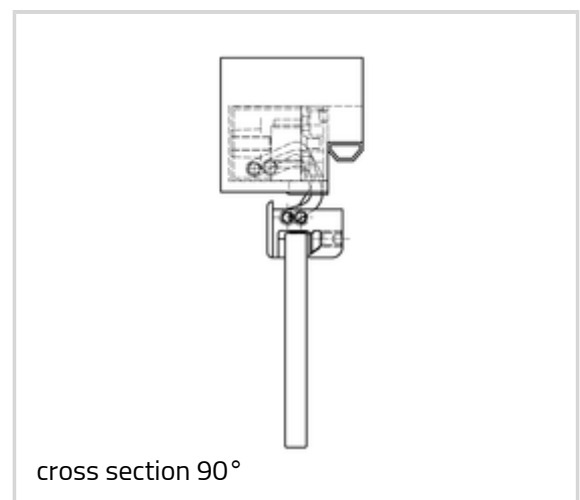
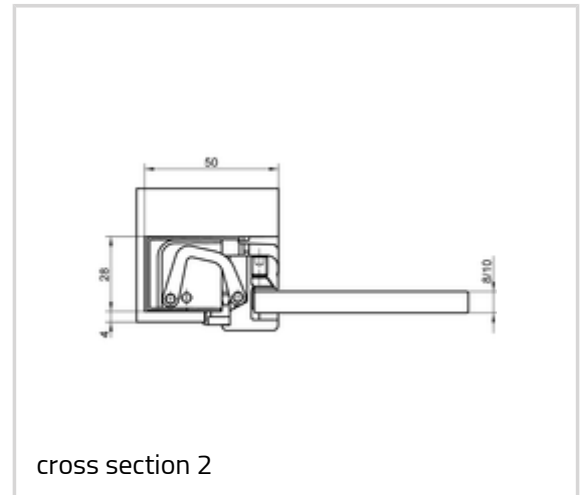
KC 25/G Lock

TE 340 3D FZ/1

TEG 310 2D SZ

Item

Finish(es)	040-Satin Stainless Steel
OF-NR.	040
VPE	pack of 2
DIN	DIN right and left hand
Item No.	5 400726 0 04002
EAN	4015471133061
Finish(es)	057-RAL 9016 Traffic White F
OF-NR.	057
VPE	pack of 2
DIN	DIN right and left hand
Item No.	5 400726 0 05702
EAN	4015471133078
Finish(es)	301-Matte Pure Grey/NCS S 8000-N



TECTUS - TEG 310 2D 80

OF-NR.	301
VPE	pack of 2
DIN	DIN right and left hand
Item No.	5 400726 0 30102
EAN	4015471133085

Finish(es)	124-Satin Chrome Look (F1)
OF-NR.	124
VPE	pack of 2
DIN	DIN right and left hand
Item No.	5 400726 0 12402
EAN	-----

Finish(es)	107-RAL 9005 Matte Deep Black
OF-NR.	107
VPE	pack of 2
DIN	DIN right and left hand
Item No.	5 400726 0 10702
EAN	-----