

VN 1937/120 Compact Planum

with reduced, elegant knuckle for rebated heavy-duty doors with thin block frames



Product features

- with reduced, elegant knuckle
- integral security pin
- for rebated heavy-duty doors
- for block and blind frames
- with receiver in the door leaf
- with comfortable 3D adjustment (side +/- 3,0 mm, height +/- 3,0 mm, compression +/- 1,0 mm)
- internal torsion-proof pin
- concealed, maintenance -free axial-radial slide bearings

Technical details

Attributes	Value
Knuckle length	120,0 mm
Knuckle diameter	15,0 mm
Cutter diameter	24,0 mm
Material thickness	3,0 mm

Note

The load capacity mentioned above refers to the use of 2 hinges per door leaf (1 x 2 m), for detailed information please look at

Quality marks



Certification CE

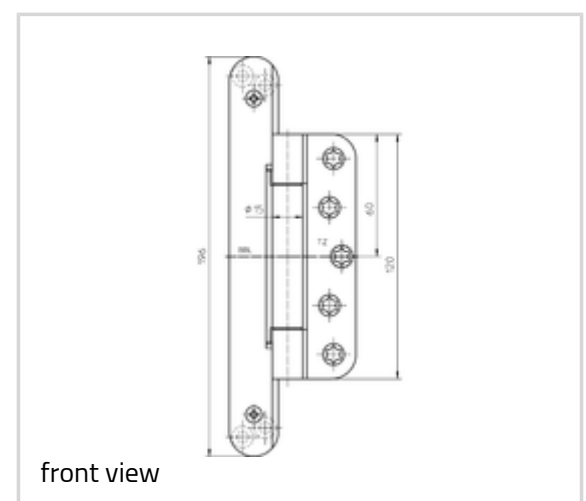


Certification IFT

Classification key

4	7	6	1	1	* ₆	1	13
---	---	---	---	---	----------------	---	----

⁶ depending on the finish



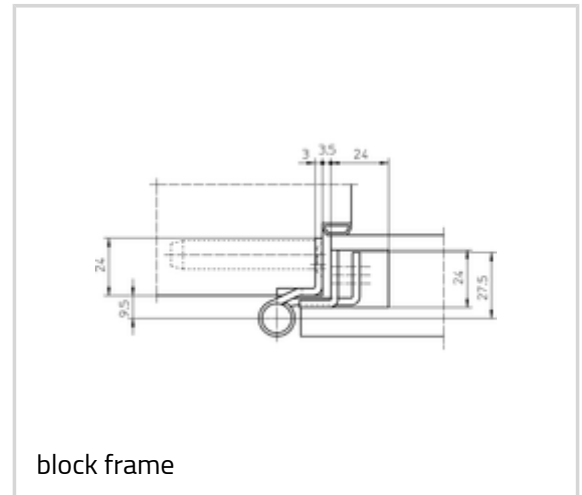
VARIANT VN - VN 1937/120 Compact Planum

the chapter "technical information".

A reinforcing dowel 12 x 50 mm per hinge is recommended when the door is subject to heavy usage.

Adapted for the application on doors within the high-class sector the elegant, diameter-reduced hinge knuckle is ideal for slim, recessed frame facings.

Screws 4,5 x 50,0 mm can be used as an alternative for lowering the depth.



Suitable for

Universal milling frame

Template 5 250697 5

door - step 1

Template 5 250698 5

door - step 2

Template 5 250574 6

frame

Combinations

VN 2900/120

Function range



fire resistance



smoke resistance

Item

Finish(es)	037-satin chromed/F1
OF-NR.	037
VPE	pack of 2
DIN	DIN right and left hand
Item No.	5 040776 0 03702
EAN	4015471113735
Finish(es)	040-Satin Stainless Steel
OF-NR.	040
VPE	pack of 2
DIN	DIN right and left hand

VARIANT VN - VN 1937/120 Compact Planum

Item No.	5 040776 0 04002
EAN	4015471113780