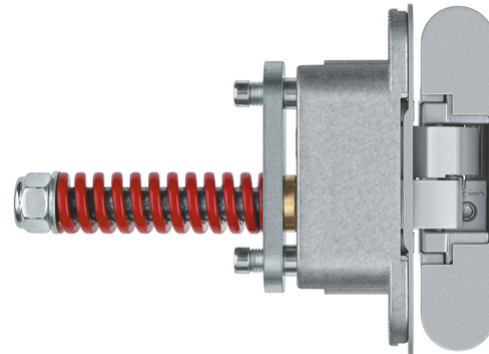


AN 107 3D C60

with integrated closing function for residential doors up to 60 kg

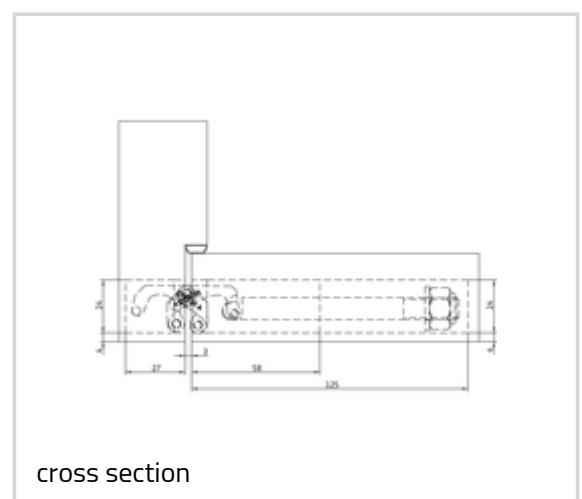
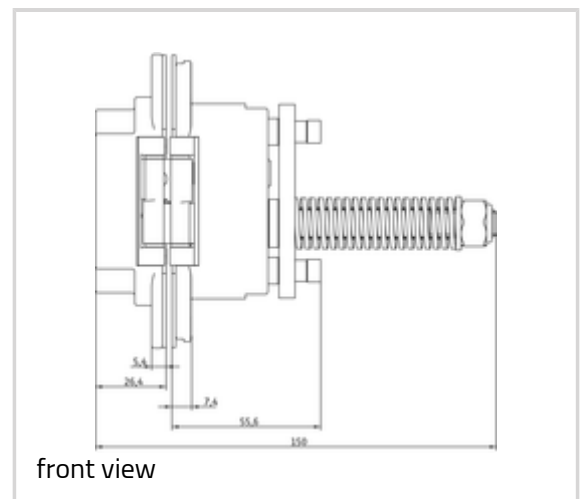


Product features

- self closing hinge system
- closing power from 40 kg up to 60 kg
- completely concealed hinge system
- for timber frames
- for unrebated residential doors
- adjustable closing power when door is installed
- material zamak / steel

Technical details

Attributes	Value
Overall length	110,0 mm
Width (door part)	24,0 mm
Width (frame part)	24,0 mm
Cutter diameter	14,0 or 16,0 mm
Collar ring diameter	25,0 or 27,0 mm
Opening angle	180°



Note

The closing power mentioned above refers to the use of one self

Anselmi - AN 107 3D C60

closing hinge per door leaf (900 x 2100 mm).

The self closing hinge has to be used only in combination with the given hinges and has to be installed at half the height of the door leaf, approximately at the same height of the lock (magnetic lock recommended).

The installation on doors subject to specific norms has to be verified by the customer according to the national law.

Combinations

AN 160 3D
AN 180 3D
AN 140 3D FZ

Item

Finish(es)	AN 014-Satin Chrome
OF-NR.	014
VPE	pack of 1
DIN	DIN right and left hand
EAN	8054608700093
Finish(es)	AN 017-Coated Bronze
OF-NR.	017
VPE	pack of 1
DIN	DIN right and left hand
EAN	8054608700109
Finish(es)	AN 018-Black
OF-NR.	018
VPE	pack of 1
DIN	DIN right and left hand
EAN	8054608700116
Finish(es)	AN 035-Antique Bronze
OF-NR.	035
VPE	pack of 1
DIN	DIN right and left hand
EAN	8054608700147
Finish(es)	AN 036-Aluminium Chrome

Anselmi - AN 107 3D C60

OF-NR.	036
VPE	pack of 1
DIN	DIN right and left hand
EAN	8054608700154
Finish(es)	AN 037-Polished Brass
OF-NR.	037
VPE	pack of 1
DIN	DIN right and left hand
EAN	8054608700161
Finish(es)	AN 039-Polished Chrome
OF-NR.	039
VPE	pack of 1
DIN	DIN right and left hand
EAN	8054608700178
Finish(es)	AN 044-Satin Nickel
OF-NR.	044
VPE	pack of 1
DIN	DIN right and left hand
EAN	8054608700123
Finish(es)	AN 049-RAL 9016 Traffic White
OF-NR.	049
VPE	pack of 1
DIN	DIN right and left hand
EAN	8054608700130