

FR 5400L

SLIDE TYPE:	Heavy-Duty Full-Extension Ball Bearing Drawer Slide with Locking Mechanism
MOUNTING:	Side Mount

WIDTH:	19.1 mm (0.75 in.)
LOAD CAPACITY:	dynamic up to 250 kg (550 lbs.)

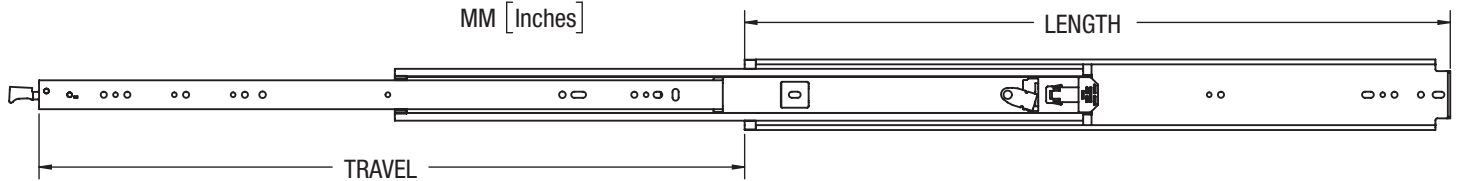
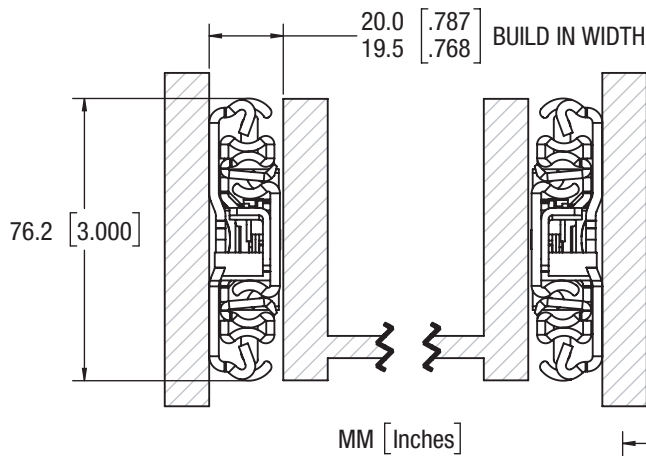


MATERIALS:	zinc plated cold rolled steel
-------------------	-------------------------------

FEATURES:	steel ball bearings
------------------	---------------------

SPECIFICATIONS:	▶ non-disconnect
------------------------	------------------

HARDWARE:	▶ ball bearing drawer slide with very high load capacity ▶ lock in lock out mechanism ▶ non-detachable
------------------	--



DESCRIPTION	LENGTH (mm)	LENGTH (INCHES)	TRAVEL (mm)	TRAVEL (INCHES)	PART NUMBER
FR 5400L-12	304.8	12.0	304.8	12.0	5602
FR 5400L-14	355.6	14.0	355.6	14.0	5603
FR 5400L-16	406.4	16.0	406.4	16.0	5604
FR 5400L-18	457.2	18.0	457.2	18.0	5605
FR 5400L-20	508.0	20.0	508.0	20.0	5606
FR 5400L-22	558.8	22.0	558.8	22.0	5607
FR 5400L-24	609.6	24.0	609.6	24.0	5608
FR 5400L-26	660.4	26.0	660.4	26.0	5609
FR 5400L-28	711.2	28.0	711.2	28.0	5610
FR 5400L-30	762.0	30.0	762.0	30.0	5611
FR 5400L-32	812.8	32.0	812.8	32.0	5612
FR 5400L-34	863.6	34.0	863.6	34.0	5613
FR 5400L-36	914.4	36.0	914.4	36.0	5614
FR 5400L-38	965.2	38.0	965.2	38.0	5615
FR 5400L-40	1016.0	40.0	1016.0	40.0	5616
FR 5400L-42	1066.8	42.0	1066.8	42.0	5617
FR 5400L-44	1117.6	44.0	1117.6	44.0	5618
FR 5400L-46	1168.4	46.0	1168.4	46.0	5619
FR 5400L-48	1219.2	48.0	1219.2	48.0	5620
FR 5400L-50	1270.0	50.0	1270.0	50.0	5621
FR 5400L-52	1320.8	52.0	1320.8	52.0	5622
FR 5400L-54	1371.6	54.0	1371.6	54.0	5623
FR 5400L-56	1422.4	56.0	1422.4	56.0	5624
FR 5400L-58	1473.2	58.0	1473.2	58.0	5625
FR 5400L-60	1524.0	60.0	1524.0	60.0	5626

Packing Unit: 46" and shorter 4 sets per box, 48" and longer 2 sets per box

Fulterer®