

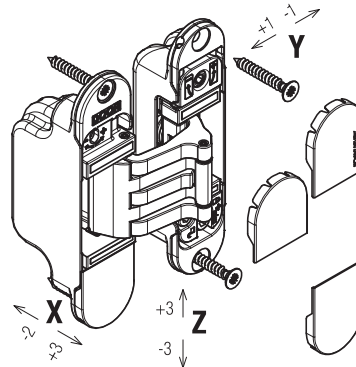
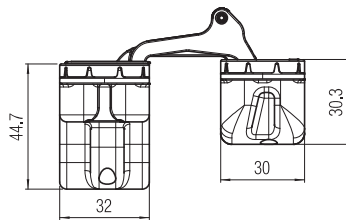
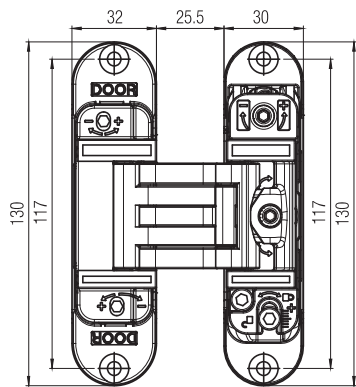
KUBICA K6300

Patented

Cerniera a 5 fulcri a sormonto regolabile su 3 assi - *Bisagra 5 pivotes regulable en 3 ejes*
 Charnière 5 pivots réglable en 3 dimensions - *3-dimensional verstellbares Türband 5 Drehpunkte*
 3 axis adjustable hinge 5 fulcrums - *Scharnier 5 draagarmen regelbaar op de 3 assen*



<p>Realizzazione <i>Version</i></p> <p>ZAMA</p>	<p>Finitura <i>Finishing</i></p>	<p>min. 40 mm</p>	<p>Regolazioni <i>Adjustments</i></p>
<p>60 kg (3: cerniere - hinges)</p>	<p>COVER</p>	<p>180°</p>	<p>Viti per fissaggio <i>Fixing screws</i></p>



- K 6300 20CS
- K 6300 21NS

- K 6300 COVER CS
- K 6300 COVER NS

- | | |
|---------------|---------------------|
| ⓘ Ricambi | Ⓔ Repuestos |
| ⓕ Echanges | Ⓓ Ersatzteile |
| Ⓢ Spare parts | Ⓝ Reserveonderdelen |

