

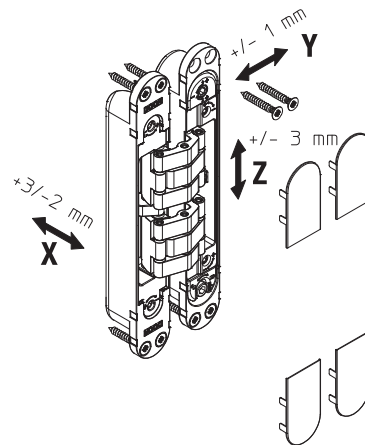
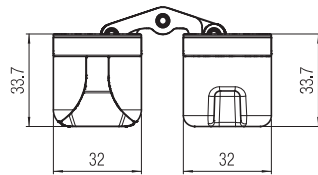
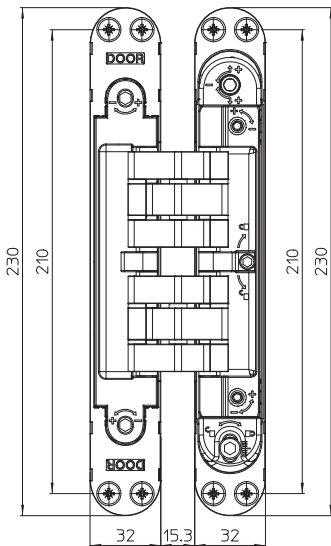
# KUBI7 K7200

Patented

Cerniera a 7 fulcri regolabile su 3 assi - *Bisagra 7 pivotes regulable en 3 ejes*  
 Charnière 7 pivots réglable en 3 dimensions - *3-dimensional verstellbares Türband 7 Drehpunkte*  
 3 axis adjustable hinge 7 fulcrums - *Scharnier 7 draagarmen regelbaar op de 3 assen*



Realizzazione <i>Version</i>  <b>ZAMA</b>	Finitura <i>Finishing</i>  	 min. 40 mm	Regolazioni <i>Adjustments</i>  
  <b>200 kg</b> (2: cerniere - hinges)	COVER  	 180°	 Viti per fissaggio <i>Fixing screws</i>



- K 7200 CS DXSX
- K 7200 NS DXSX

- K 712 COVER BI
- K 712 COVER NR
- K 712 COVER CS
- K 712 COVER NS

- |               |                     |
|---------------|---------------------|
| ⓘ Ricambi     | Ⓔ Repuestos         |
| Ⓕ Echanges    | Ⓖ Ersatzteile       |
| Ⓖ Spare parts | Ⓝ Reserveonderdelen |

