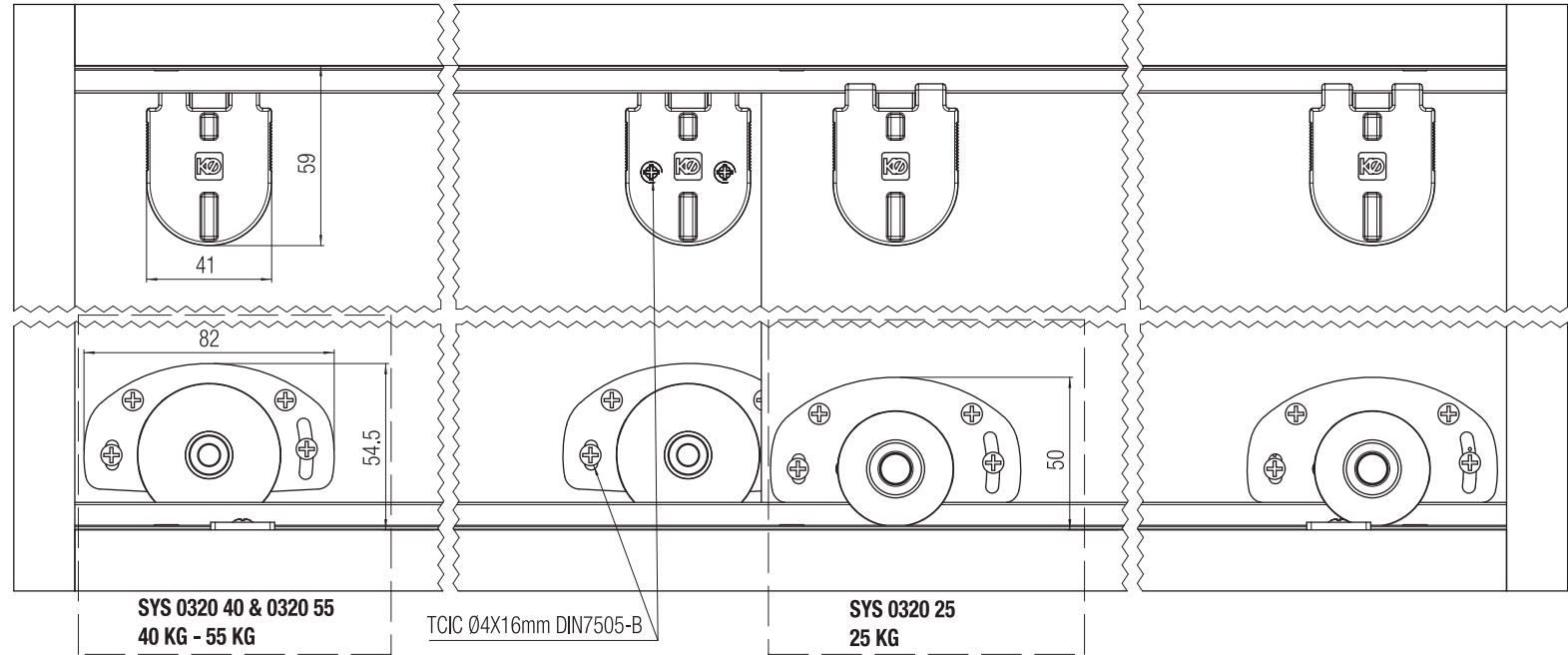
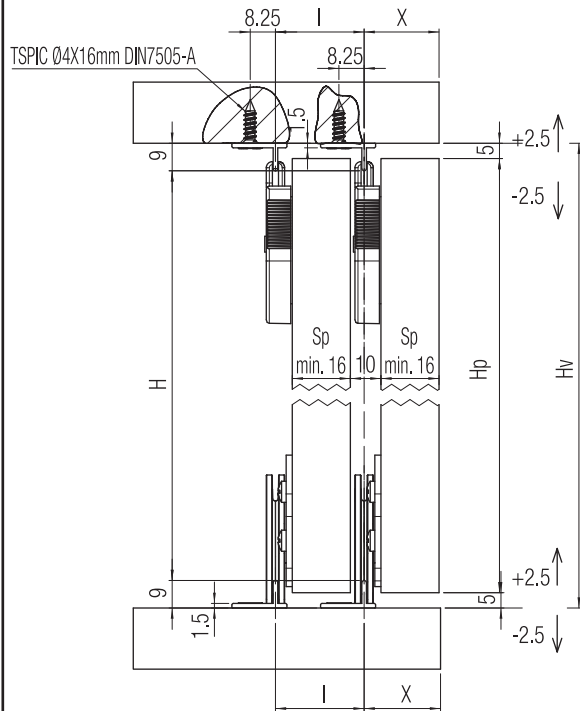
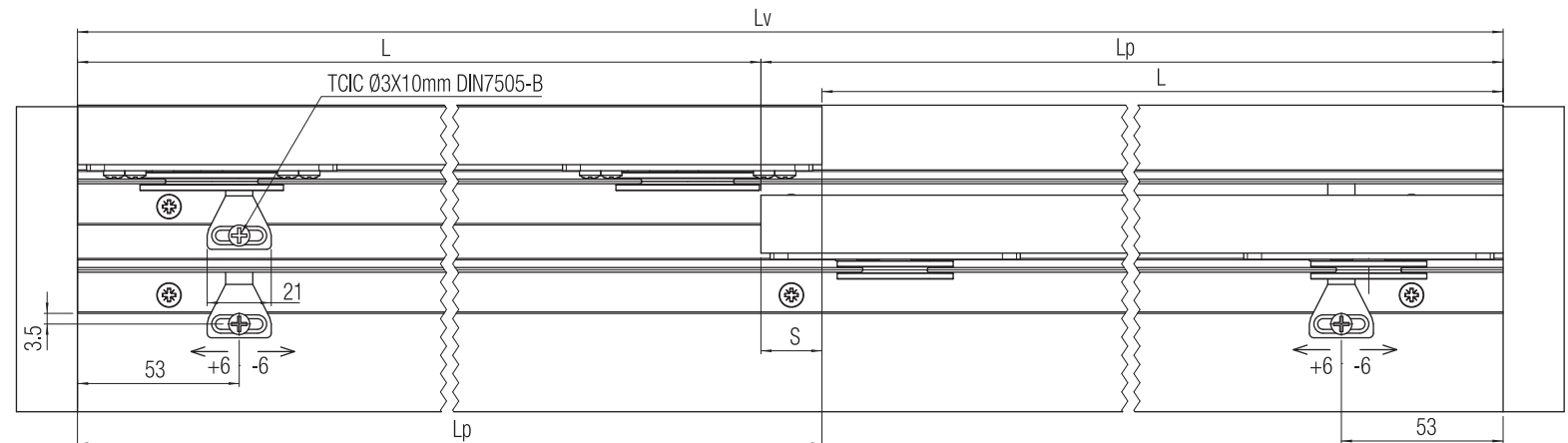


SYSTEM 0320/25/40/55

Istruzioni di Montaggio - Instrucciones de montaje - Montageanleitung - Assembling Instructions - Instructions de Montage - Montagehandleiding - Инструкции по монтажу

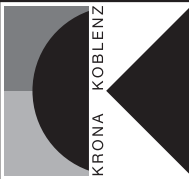


- Sp = min. 16 (mm)
- Hp = Hv - 10 (mm)
- H = Hp - 8 (mm)
- Lp = (Lv + S) / 2 (mm)
- L = Lv - Lp
- I = Sp + 10 (mm)
- X = Sp + 5.5 (mm)
- B - SYS 0320/25- = 15 (mm)
- B - SYS 0320/40/55- = 19.5 (mm)

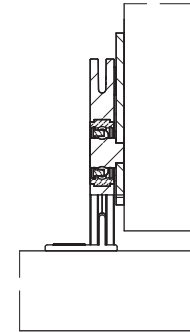
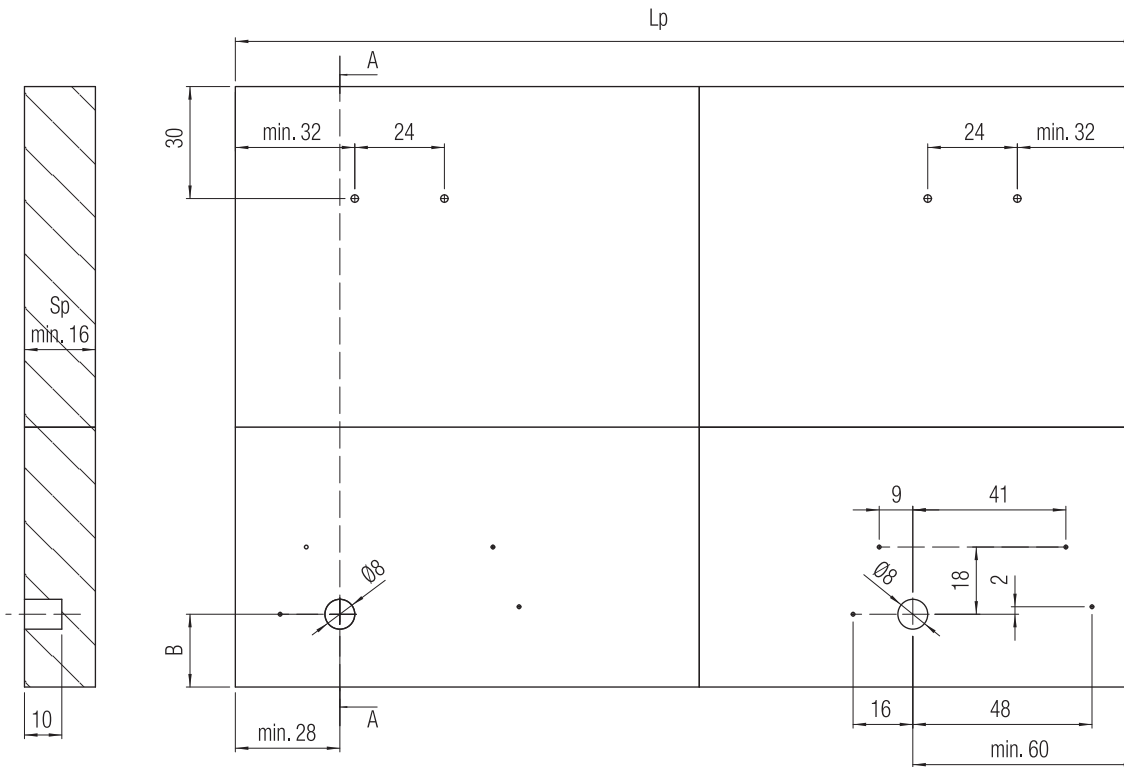


SYSTEM 0320/25/40/55

www.k-group.com

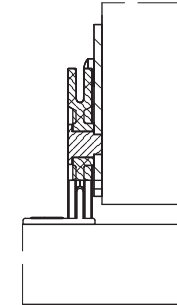


Istruzioni di Montaggio - Instrucciones de montaje - Montageanleitung - Assembling Instructions - Instructions de Montage - Montagehandleiding - Инструкции по монтажу



SYS 0320 40 & 0320 55
40 KG - 55 KG

Cuscinetti a sfera
Cojinetes a bolas
Roulement à billes
Kugelgelagerte Rollen
Ball bearings
Kogellager



SYS 0320 25
25 KG

Ruote in DELRIN
Ruedas en DELRIN
Poulie en DELRIN
Rollen aus DELRIN
DELRIN wheels
Schoen met DELRINWIEL

I Lp = Larghezza anta (mm)
Hp = Altezza anta (mm)
Sp = Spessore anta (mm)
S = Sormonto ante (mm)
H = Altezza di passaggio (mm)
L = Larghezza di passaggio (mm)
Lv = Larghezza vano (mm)
Hv = Altezza vano (mm)
I = Interasse binari (mm)
X = Distanza binario esterno (mm)
B = Distanza fori di fissaggio (mm)

E Lp = Anchura Hoja (mm)
Hp = Altura hoja (mm)
Sp = Espesor hoja (mm)
S = Superposicion hoja (mm)
H = Altura de paso (mm)
L = Anchura de paso (mm)
Lv = Anchura de hueco (mm)
Hv = Altura hueco (mm)
I = Distancia entre ejes guia (mm)
X = Distancia guia externa (mm)
B = Distancia agujeros de fijacion (mm)

D Lp = Breite Möbeltür (mm)
Hp = Höhe Möbeltür (mm)
Sp = Dicke Möbeltür (mm)
S = Überlappung Möbeltüren (mm)
H = Durchgangshöhe (mm)
L = Durchgangsbreite (mm)
Lv = Breite Maueröffnung (mm)
Hv = Höhe Maueröffnung (mm)
I = Achsabstand Schienen (mm)
X = Abstand äußere Schiene (mm)
B = Abstand Befestigungsbohrungen (mm)

UK Lp = Door width (mm)
Hp = Door Height (mm)
Sp = Door Height (mm)
S = Door overlapping (mm)
H = Passage opening Height (mm)
L = Passage opening Width (mm)
Lv = Compartment Opening Width (mm)
Hv = Compartment Opening Height (mm)
I = Center to center distance of the rails (mm)
X = External rail distance (mm)
B = Distance of the fixing holes (mm)

F Lp = Largeur porte (mm)
Hp = Hauteur porte (mm)
Sp = Epaisseur porte (mm)
S = Chevauchement portes (mm)
H = Hauteur de passage (mm)
L = Largeur de passage (mm)
Lv = Largeur embrasure (mm)
Hv = Hauteur embrasure (mm)
I = Entraxe rails (mm)
X = Distance rail externe (mm)
B = Distance trous de fixation (mm)

B Lp = Breedte Kastdeur (mm)
Hp = Hoogte Kastdeur (mm)
Sp = Dikte Kastdeur (mm)
S = Overlapping kastdeuren (mm)
H = Doorgangshoogte (mm)
L = Doorgangsbreedte (mm)
Lv = Breedte wandopening (mm)
Hv = Hoogte wandopening (mm)
I = Wielbasis (mm)
X = Afstand buitenste looprail (mm)
B = Afstand bevestigingsgaten (mm)