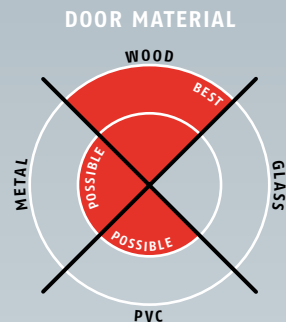


Planet SL (Sliding door) → 21,8 x 30 mm | ↓ 18 mm | ≤ 44 dB



Main features

- Seal height up to ↓ 18 mm
- Acoustic insulation up to ≤ 44 dB in case of an optimal sealing
- Compact space-saving solution with integrated floor guiding groove
- Adjustable floor guide included
- Soundless release on lock side, silent seal
- Due to parallel drop-down no trailing on the floor
- Automatic compensation at inclined floors
- For wavy, buckled, hollow, bevelled and uneven floor
- Soft silicone bevel lip seal
- High-grade silicone lip, simple lift height adjustment
- Can be shortened up to the next shorter length on stock
- No extra need to cut off silicone at both ends
- Please plan for a door lock (hook trap or retention by rolls)
- 7 years warranty



Versions / options

- Planet SL → RD ≤ 44 dB, smoke-shielding
- Planet SL → FH+RD ≤ 44 dB, fire-retardant + smoke-shielding
- Closing DIN L or DIN R
- Special versions on request

Door types with Planet SL

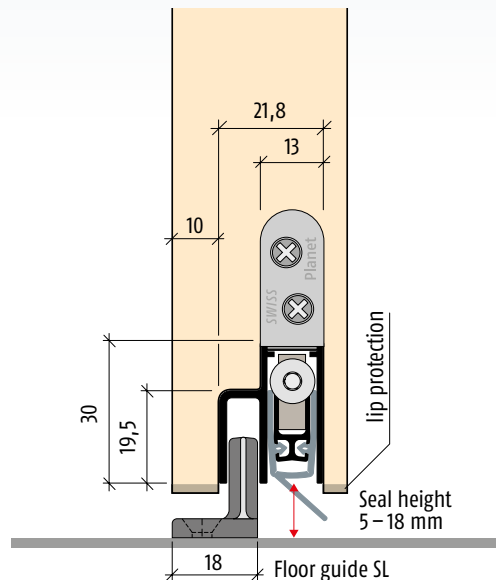


More functions



Technical specifications

Profile material	aluminum, → 21,8 x 30 mm
Groove size	□ width 21,8 mm with depth 30,5 up to 35 mm
Seal profile	high-grade silicone or high-grade self-extinguishing silicone
Seal height	↓ 5 – 18 mm
Sound absorption value	up to ≤ 44 dB at 7 mm space to the floor
Lift height adjustment	on the release knob with an Allen key 3 mm
Lengths in stock	585, 710, 835, 960, 1085, 1210, 1335, 1460 mm
Special lengths	on request up to 6000 mm for wing- and sliding doors
Release	unilaterally on hinge side
Can be shortened	up to the maximum of 125 mm
Fastening	laterally with stainless steel angle brackets and screws, incl. floor guide
Frame protector plate	stainless, hammer fixed, 20 x 20 mm
Test approvals	on request





Planet SL (lock side), with fastening brackets and floor guide



Planet SL (hinge side), with fastening brackets and floor guide, release side



Option: Planet SL with round lip



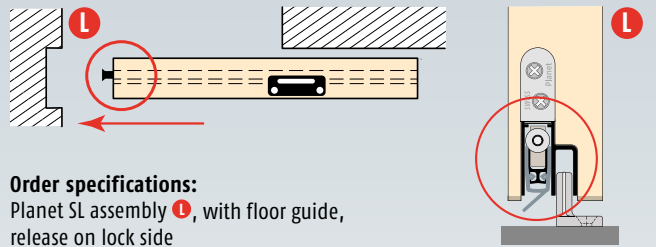
Planet assembly set HS for Planet SL



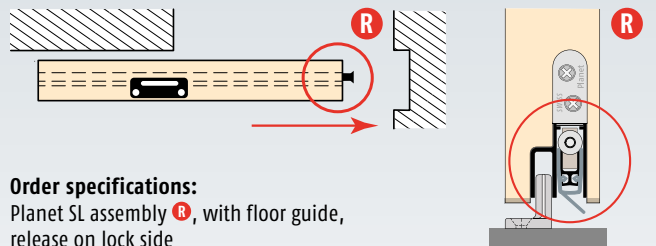
Planet floor guide SL



Option: Inverse release (release by pulling incl. trigger plate)



Order specifications:
Planet SL assembly **L**, with floor guide, release on lock side



Order specifications:
Planet SL assembly **R**, with floor guide, release on lock side

Order specifications

Planet SL → RD ≤ 44 dB including floor guide, assembly set and Frame protector plate type 1 (stainless)	Prod. code 73xxx*
Planet SL → FH+RD ≤ 44 dB including floor guide, assembly set and Frame protector plate type 1 (stainless)	Prod. code 74xxx*
Closing DIN L or DIN R → refer to illustration above	

* xxx = refer to price list for profile length

Accessories | Options

Planet floor guide SL	Prod. code 900217
Planet assembly set HS for Planet SL type 1 stainless / stainless	Prod. code 900180
Planet frame protector plate type 1 (stainless); possible type 2/3/4/5 → refer to chapter Accessories Options	Prod. code 900014
Inverse release (release by pulling)	Prod. code 900909
Cut the Planet to fix dimension	Prod. code 900200

Advertising text



Planet SL → RD (smoke-shielding) ≤ 44 dB

Automatic door drop-down seal Planet SL → RD ≤ 44 dB, for sound absorption and smoke-shielding sliding doors, release on lock side, seal height up to $\downarrow 18$ mm, flush or deeper to put in groove with lip protection. Silicone lip, lateral fastening incl. floor guide. Aluminum profile → **21,8 x 30 mm**.

Advertising text



Planet SL → FH+RD (fire-retardant + smoke-shielding) ≤ 44 dB

Automatic door drop-down seal Planet SL → FH+RD ≤ 44 dB, for sound protection-, smoke-shielding- and fire-retardant sliding doors, release on lock side, seal height up to $\downarrow 18$ mm, flush or deeper to put in groove with lip protection. Self-extinguishing silicone lip, lateral fastening incl. floor guide. Aluminum profile → **21,8 x 30 mm**.