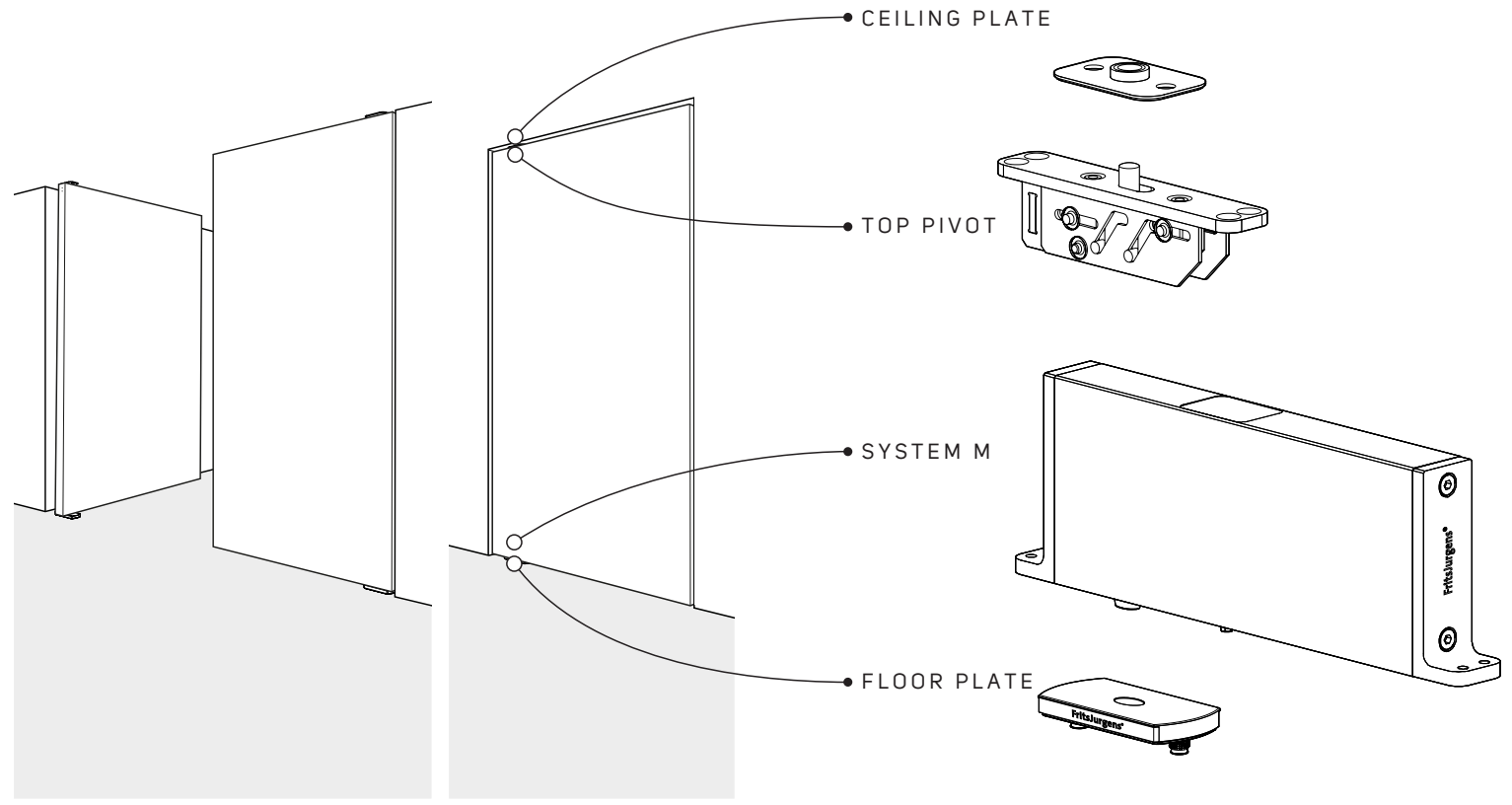
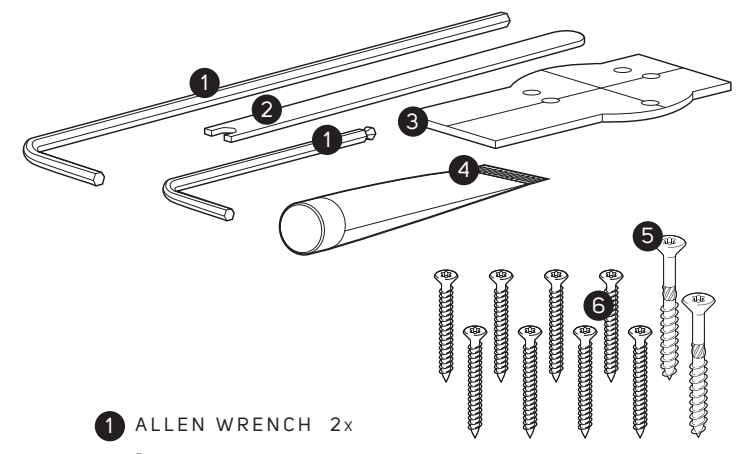


MILLING MANUAL

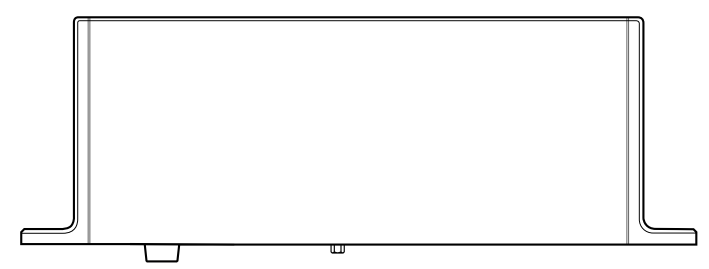
FritsJurgens®
SYSTEM M



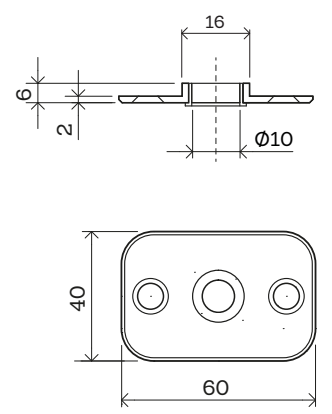
TOOLS INCLUDED



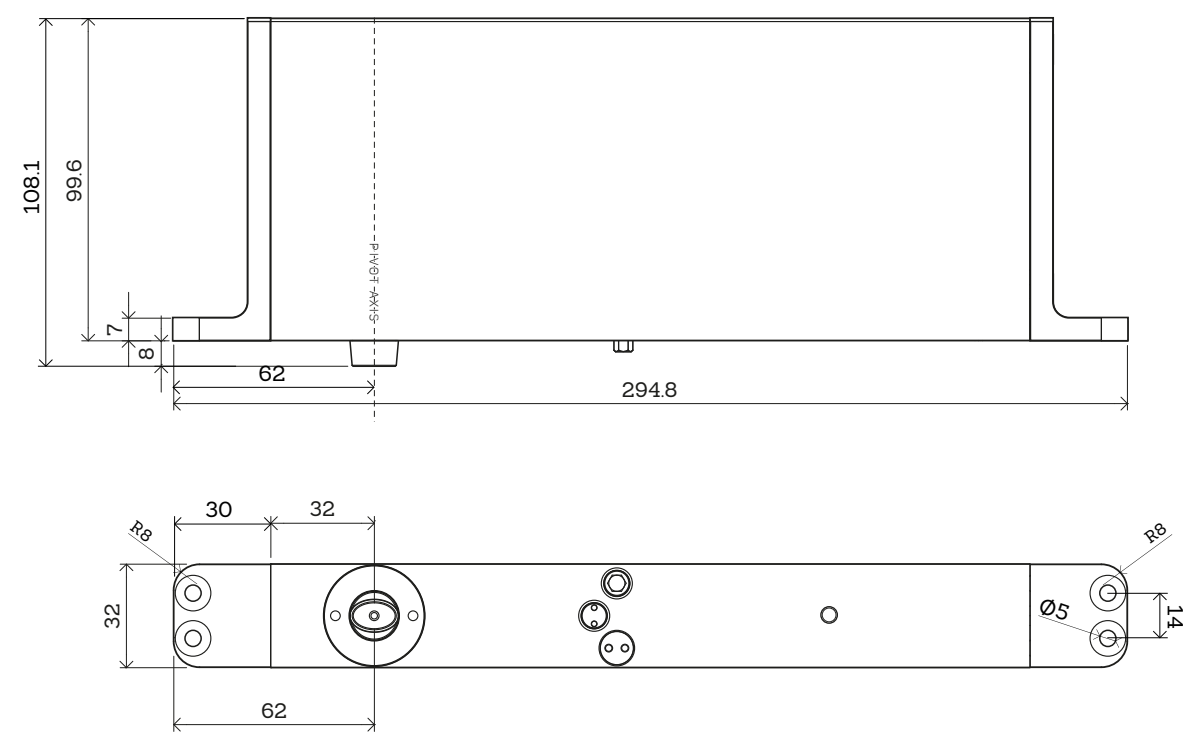
- 1 ALLEN WRENCH 2x
-
- 2 ADJUSTMENT SPANNER
-
- 3 FITTING TEMPLATE
-
- 4 FITTING ADHESIVE
-
- 5 RVS SCREW (6X60) 2x
-
- 6 RVS SCREW (4X50) 8x



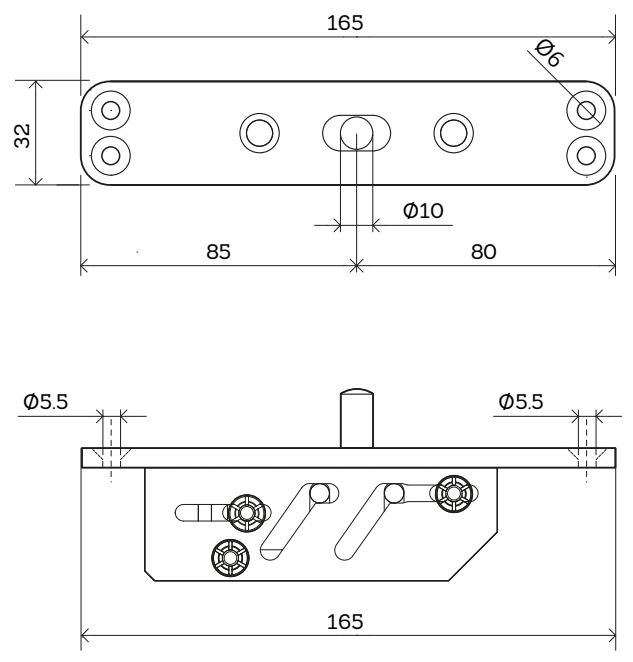
CEILING PLATE



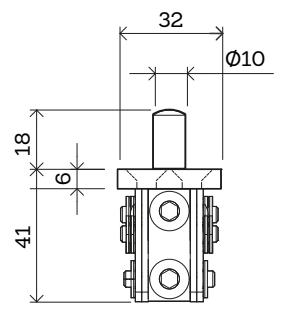
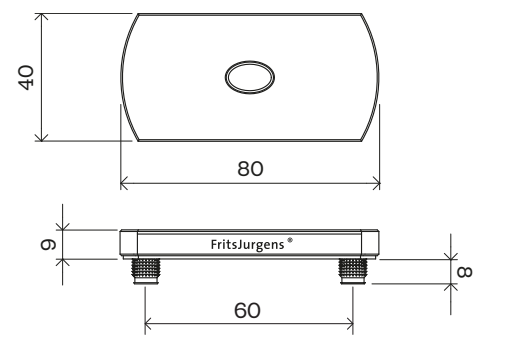
SYSTEM M



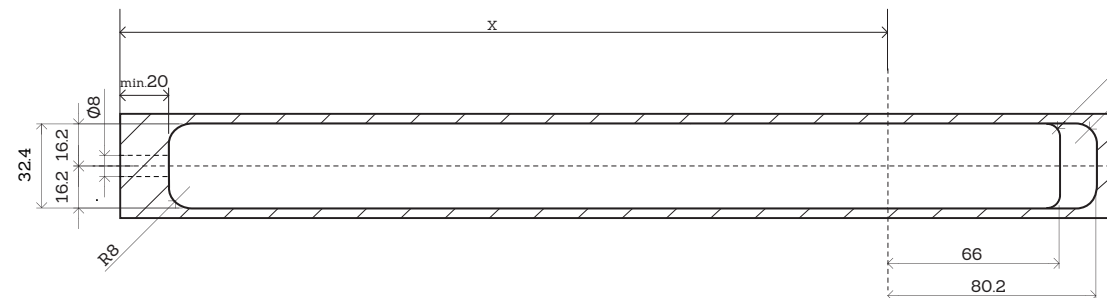
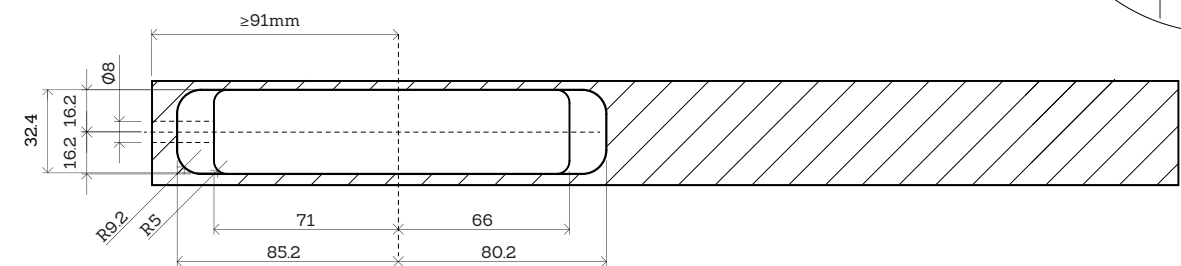
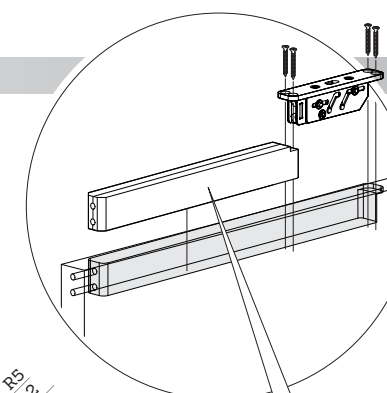
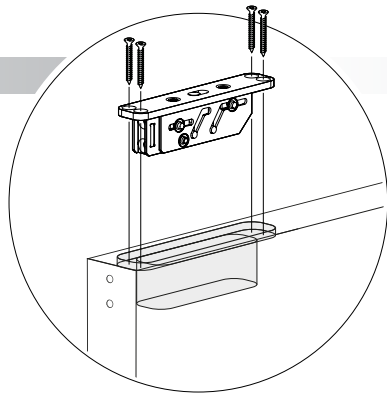
TOP PIVOT



FLOOR PLATE



TOP PIVOT



WHEN DISTANCE FROM DOOR
 EDGE TO PIVOT POINT IS
 GREATER THAN 280MM/11 IN.
 RECOMMEND: FRITSJURGENS
 HEXAGON GUIDE - 706000

