

TE 340 3D

for unrebated residential doors

hinge

Technical details

load capacity	80,0 kg
overall length	160,0 mm
width (door)	28,0 mm
width (frame)	28,0 mm
cutter diameter	24,0 mm
opening angle	180° degree

descriptive text

SIMONSWERK TECTUS hinge TE 340 3D. Completely concealed for unrebated doors with timber, steel and aluminium frames. UL-certified, with comfortable 3D adjustment, load capacity up to 80 kg, opening angle up to 180°, overall length 160 mm, right hand and left hand applicable, maintenance-free slide bearings, three-dimensionally adjustable: side +/- 3,0 mm, height +/- 3,0 mm, compression +/- 1,0 mm. Finish...

Note

The load capacity mentioned above refers to the use of 2 hinges per door leaf (1 x 2 m).

Finger protection on the hinge side due to a small gap between door and frame.

Product features

- completely concealed hinge system
- for timber, steel or aluminium frames
- for unrebated residential doors
- maintenance-free slide bearings
- with comfortable 3D adjustment (side +/- 3,0 mm, height +/- 3,0 mm, compression +/- 1,0 mm)

Quality marks

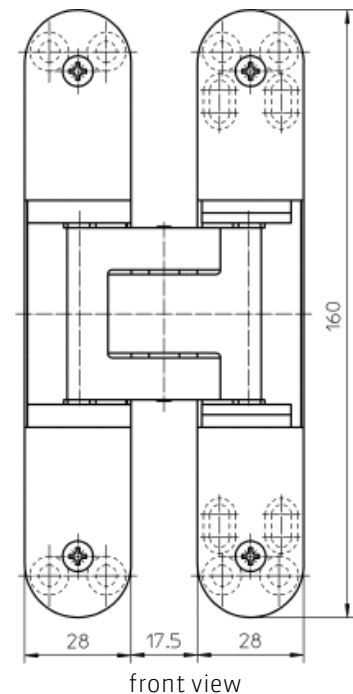


Combination

receiver	TE 340 3D FZ/1 TE 340 3D SZ
----------	--------------------------------

installation tools

universal milling frame	
template 5 250693 5	step 1
template 5 250694 5	step 2



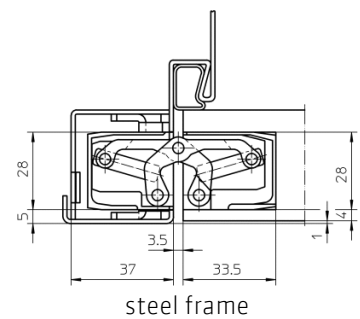
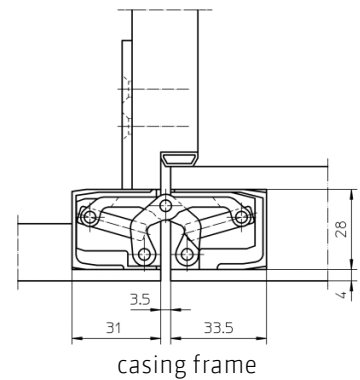
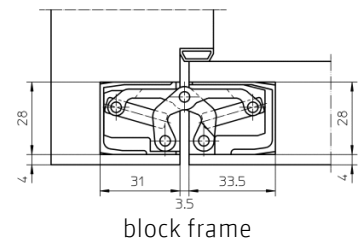
TE 340 3D

for unrebated residential doors

hinge

Items (DIN reference: DIN right and left hand)

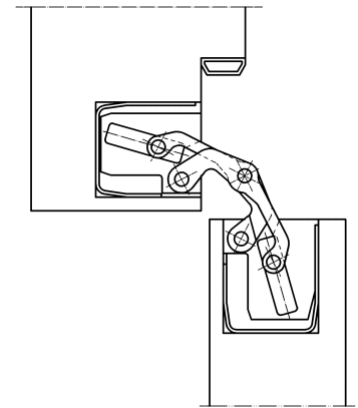
finishes(es)	polished brassed 030
packing unit	pack of 2
item number	5 400605 0 03002
finishes(es)	polished nickelled 038
packing unit	pack of 2
item number	5 400605 0 03802
finishes(es)	powder-coated 079
packing unit	pack of 2
item number	5 400605 0 07902
finishes(es)	F1-coloured 124
packing unit	pack of 2
item number	5 400605 0 12402
finishes(es)	F2-coloured 125
packing unit	pack of 2
item number	5 400605 0 12502
finishes(es)	stainless steel look 126
packing unit	pack of 2
item number	5 400605 0 12602



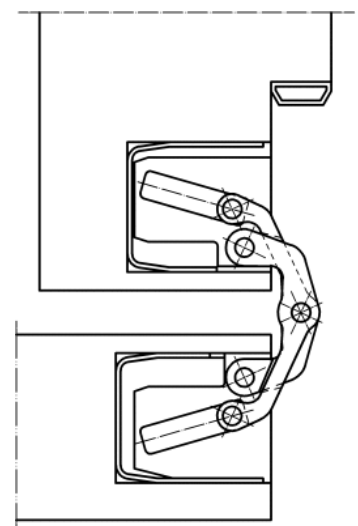
TE 340 3D

for unrebated residential doors

hinge



block frame 90°



block frame 180°

While every due care has been taken, we cannot be held responsible for errors, omissions or defects.
We kindly ask for your understanding.