

SIMONSWERK

TECTUS®

TE 526 3D

made from solid stainless steel for unrebated heavy-duty doors

hinge

Technical details

load capacity	120,0 kg
overall length	155,0 mm
width (door)	26,0 mm
width (frame)	26,0 mm
cutter diameter	24,0 mm
opening angle	180° degree

descriptive text

SIMONSWERK TECTUS hinge TE 526 3D made from solid stainless steel. Completely concealed for unrebated doors with timber, steel and aluminium frames. With comfortable 3D adjustment, load capacity up to 120 kg, opening angle up to 180°, overall length 155 mm, right hand and left hand applicable, maintenance-free slide bearings, three-dimensionally adjustable: side +/- 3,0 mm, height +/- 3,0 mm, compression +/- 1,0 mm. Finish...

Note

The load capacity mentioned above refers to the use of 2 hinges per door leaf (1 x 2 m), for detailed information please look at the chapter "technical information".

Product features

- completely concealed hinge system
- for timber, steel or aluminium frames
- for unrebated heavy-duty doors
- maintenance-free slide bearings
- 3D adjustable (side +/- 3,0 mm, height +/- 3,0 mm, compression +/- 1,0 mm)
- material stainless steel

Functional areas

fire resistance, smoke resistance, soundproof und burglar resistance

Quality marks

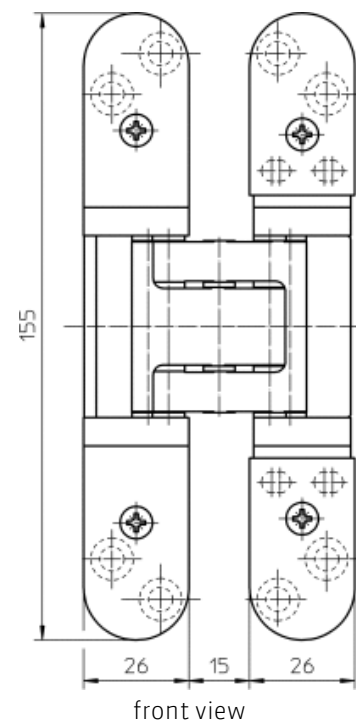


Combination

receiver	TE 526/527 3D FZ/1 TE 526/527 3D SZ
----------	--

installation tools

universal milling frame



SIMONSWERK

TECTUS®

TE 526 3D

made from solid stainless steel for unrebuted heavy-duty doors

hinge

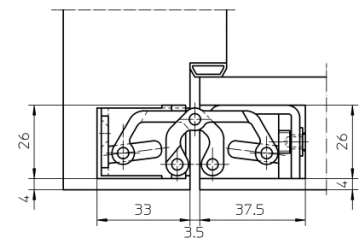
installation tools

drilling jig TECTUS TE 526/527 3D block frame and blind frame

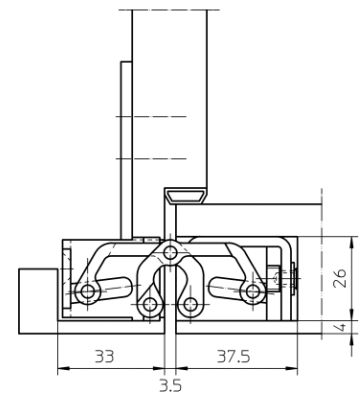
template 5 250547 6 frame / door

Items (DIN reference: DIN right and left hand)

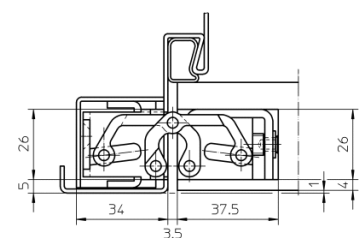
Finish(es) satin brushed stainless steel
packing unit pack of 2
item number 5 400561 0 04002



block frame



casing frame



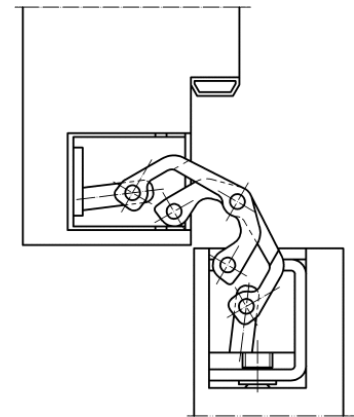
steel frame

SIMONSWERK TECTUS®

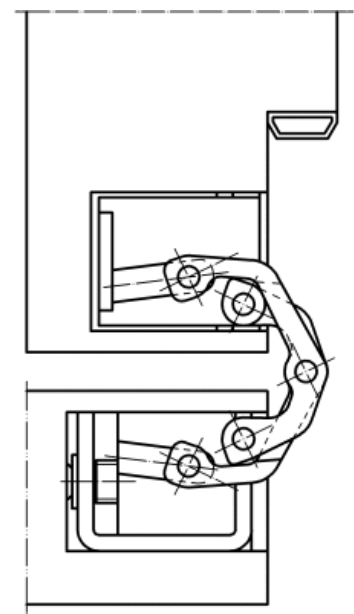
TE 526 3D

made from solid stainless steel for unrebated heavy-duty doors

hinge



block frame 90°



block frame 180°

While every due care has been taken, we cannot be held responsible for errors, omissions or defects. We kindly ask for your understanding.

© SIMONSWERK GMBH