

**SIMONSWERK**  
TECTUS®

distributed in North America by :



1-800-362-1484  
www.BridgeportWorldwide.com

## TE 527 3D

Manufactured of mild steel for flush commercial doors

### hinge

#### Technical Details

load capacity	264 lbs
overall length	6.102 "
width (door)	1.024 "
width (frame)	1.024 "
router bit Ø	3/4 "
opening angle	180° degree

#### Descriptive Text

SIMONSWERK TECTUS TE 527 3D hinge manufactured of mild steel. Completely concealed for flush doors with wood, steel or aluminum frames. With user-friendly 3-way adjustments, load capacity up to 120 kg (264 lbs.), opening angle up to 180°, overall length 155 mm (6.102"), non-handed, maintenance-free slide bearings, three-dimensionally adjustable: side +/- 3,0 mm (0.118"), height +/- 3,0 mm (0.118"), compression +/- 1,0 mm (0.039"). Finish...

#### Note

The load capacity mentioned above refers to the use of 2 hinges per door leaf with a height/width ratio of 2:1.

For a minimum door panel thickness of 34 mm (1-3/8").

For fire rated doors: Check with door manufacturer regarding the usage of additional required intumescent material.

Square-corner cover plates are available upon request.

The load capacity shall be reduced by 20% when installed in combination with a door closer.

#### Product Features

Mild steel

Completely concealed hinge system

For wood, steel or aluminum door panels and frames

For flush commercial doors

Finger protection due to a small gap between door and frame

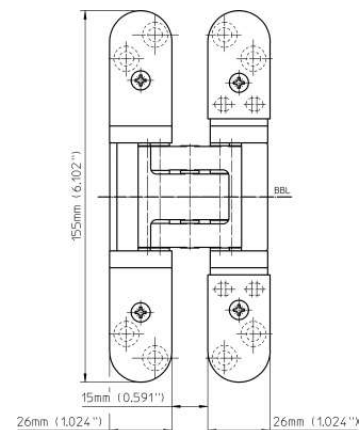
Easily adjustable in three dimensions (side +/- 3.0 mm (0.118"), height +/- 3.0 mm (0.118"), compression +/- 1.0 mm (0.039"))

Maintenance-free slide bearings

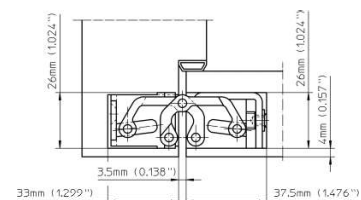
#### Functional Areas

fire resistance, smoke resistance, soundproof und forced entry resistance

#### Quality Marks



front view



commercial wood frames

**SIMONSWERK**  
TECTUS®

distributed in North America by :



1-800-362-1484  
www.BridgeportWorldwide.com

## TE 527 3D

Manufactured of mild steel for flush commercial doors

hinge

### Combination

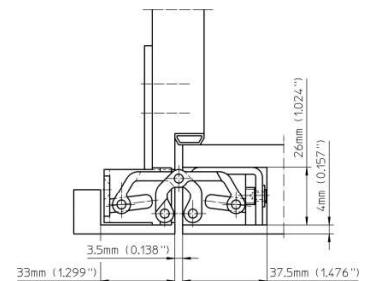
receivers	TE 526/527 3D FZ/1 TE 526/527 3D SZ TE 526/527 3D ST
-----------	--

### Installation Tools

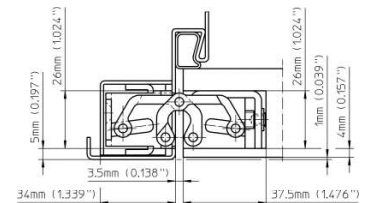
universal milling frame	
drilling jig TECTUS TE 526/527 3D	commercial wood frame
template 5 250547 6	24 mm router bit / 30 mm collar ring (frame / door)
template 5 251070 6	3/4" router bit / 1" collar ring

### Items (DIN Reference: non-handed)

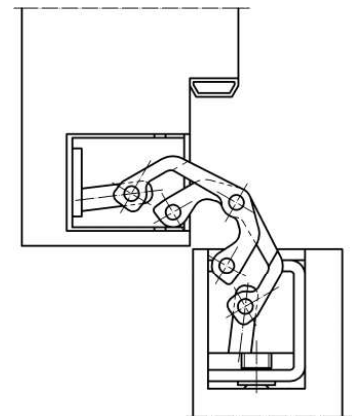
<b>Finish(es)</b>	powder-coated
<b>packing unit</b>	EUR-pallet
<b>Item Number</b>	5 400562 0 07975
<b>Finish(es)</b>	stainless steel look (SSL)
<b>packing unit</b>	pack of 2
<b>Item Number</b>	5 400562 0 12602



casing wood frames



hollow metal frames



block frame 90°

**SIMONSWERK**  
TECTUS®

distributed in North America by :

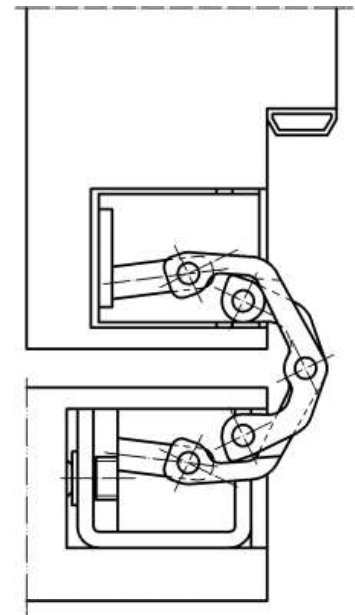


1-800-362-1484  
www.BridgeportWorldwide.com

**TE 527 3D**

Manufactured of mild steel for flush commercial doors

hinge



block frame 180°

While every due care has been taken, we cannot be held responsible for errors, omissions or defects. We kindly ask for your understanding.

© SIMONSWERK North America, Inc.