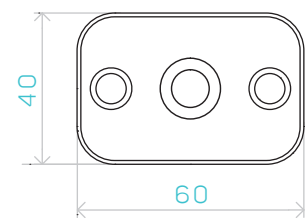
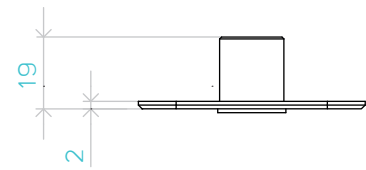
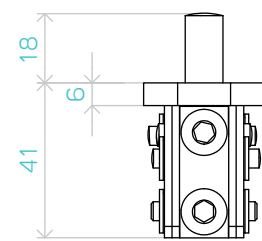
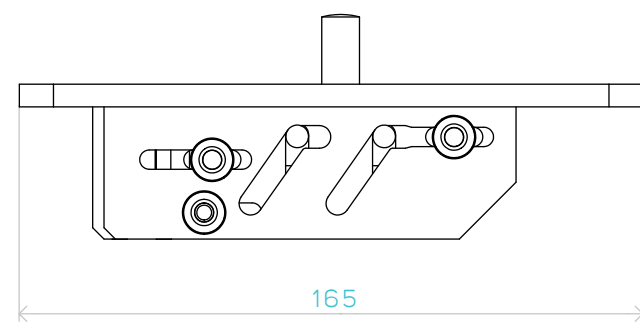
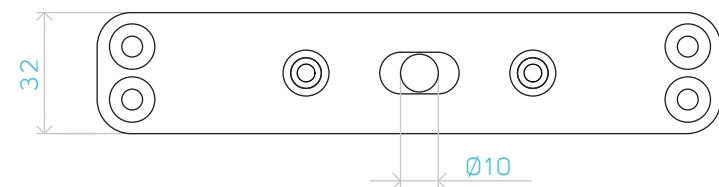


SYSTEM M TECHNICAL DRAWINGS

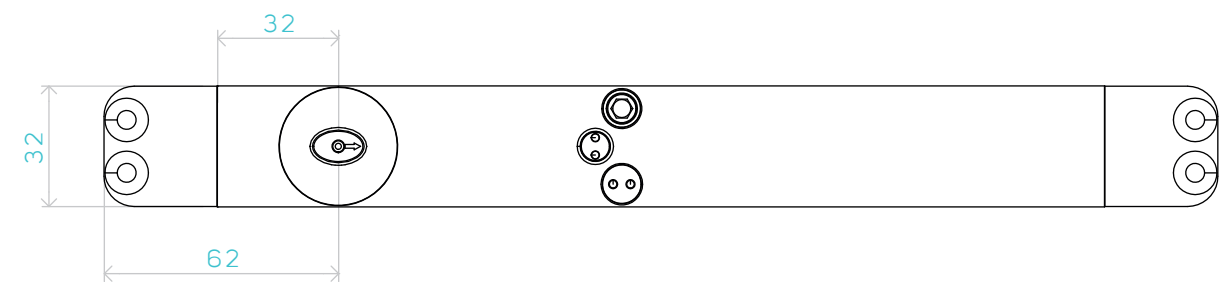
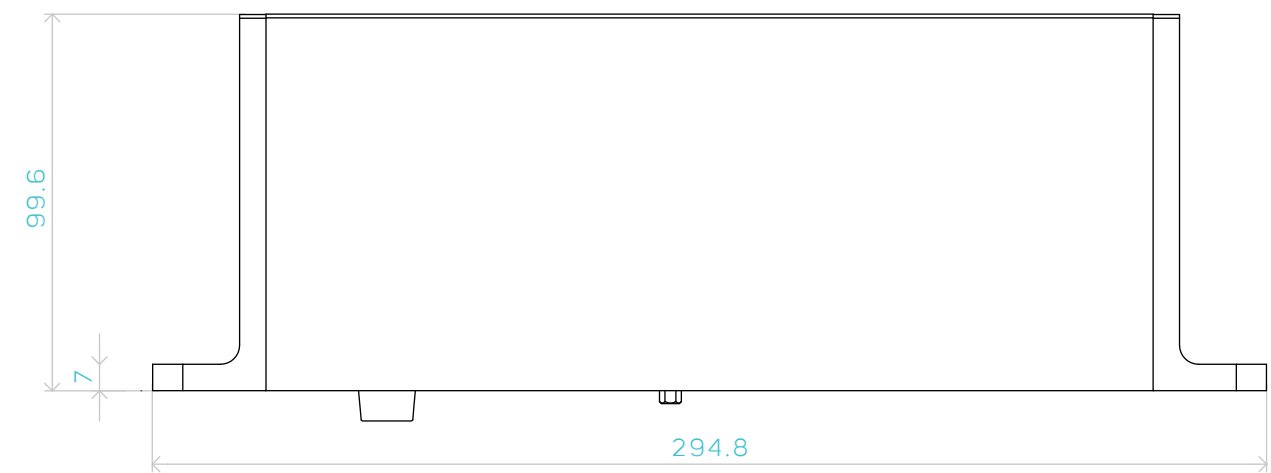
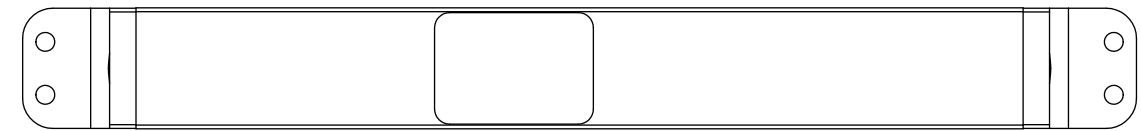
CEILING PLATE



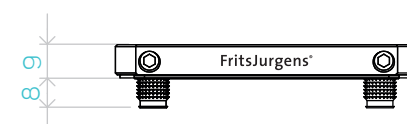
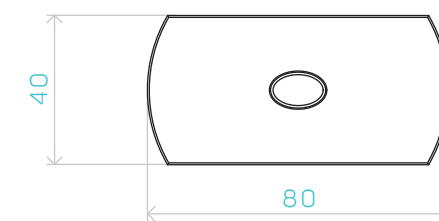
TOP PIVOT



SYSTEM M

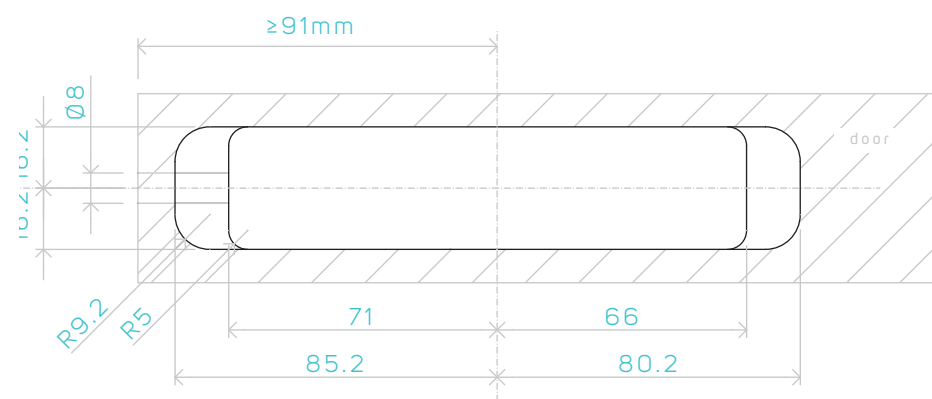
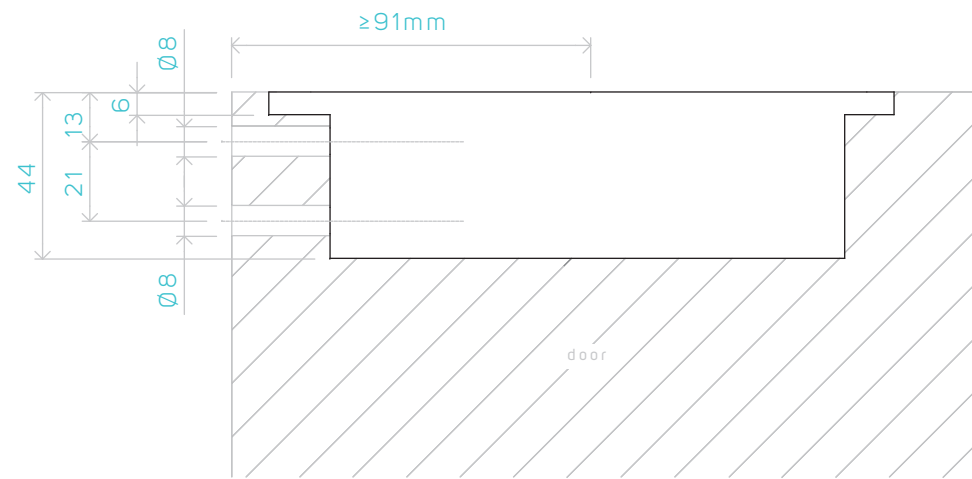


FLOORPLATE



SYSTEM M MILLING DRAWINGS

TOP PIVOT



SYSTEM M

