

SIMONSWERK

TECTUS®

TE 240 3D

for unrebated and rebated flush residential doors

hinge

Technical details

| | |
|-----------------|-------------|
| load capacity | 40,0 kg |
| overall length | 155,0 mm |
| width (door) | 18,0 mm |
| width (frame) | 21,0 mm |
| cutter diameter | 16,0 mm |
| opening angle | 180° degree |

descriptive text

SIMONSWERK TECTUS hinge TE 240 3D. Completely concealed for unrebated and rebated flush doors with timber, steel and aluminium frames. CE-certified, load capacity up to 40 kg, opening angle up to 180°, overall length 155 mm, right hand and left hand applicable, maintenance-free slide bearings, three-dimensionally adjustable: side +/- 3,0 mm, height +/- 3,0 mm, compression +/- 1,5 mm. Finish...

Note

The load capacity mentioned above refers to the use of 2 hinges per door leaf (1 x 2 m), for detailed information please look at the chapter "technical information".

Product features

- completely concealed hinge system
- for timber, steel or aluminium frames
- for unrebated and rebated flush residential doors
- maintenance-free slide bearings
- with comfortable 3D adjustment (side +/- 3,0 mm, height +/- 3,0 mm, compression +/- 1,5 mm)
- sideways closed hinge body for a homogeneous mortise appearance

Classification key

| | | | | | | | |
|---|---|---|---|---|----------------|---|---|
| 2 | 7 | 2 | 0 | 1 | * ¹ | 0 | 7 |
|---|---|---|---|---|----------------|---|---|

¹ depending on the finish

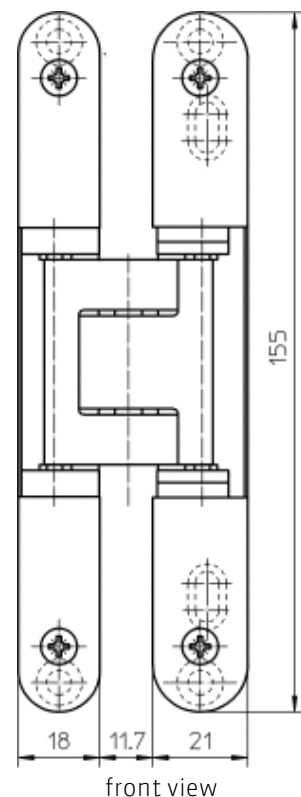
Quality marks



Combination

receiver

TE 240 3D FZ/1
TE 240 3D SZ



SIMONSWERK

TECTUS®

TE 240 3D

for unrebated and rebated flush residential doors

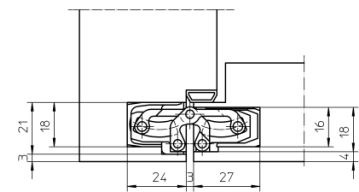
hinge

installation tools

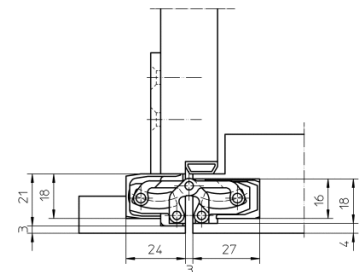
| | |
|-------------------------|-------|
| universal milling frame | |
| template 5 250691 6 | frame |
| template 5 250692 6 | door |

Items (DIN reference: DIN right and left hand)

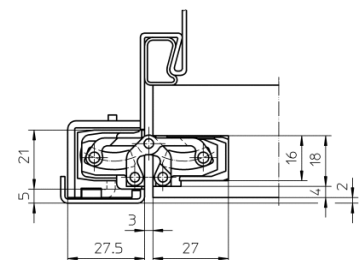
| | |
|---------------------|-----------------------------|
| Finish(es) | polished brass |
| packing unit | pack of 2 |
| item number | 5 400594 0 03002 |
| Finish(es) | polished nickelled |
| packing unit | pack of 2 |
| item number | 5 400594 0 03802 |
| Finish(es) | traffic white - RAL 9016 |
| packing unit | pack of 2 |
| item number | 5 400594 0 07002 |
| Finish(es) | powder-coated |
| packing unit | EUR-pallet |
| item number | 5 400594 0 07975 |
| Finish(es) | matte deep black - RAL 9005 |
| packing unit | pack of 2 |
| item number | 5 400594 0 10702 |
| Finish(es) | satın chrome look (F1) |
| packing unit | pack of 2 |
| item number | 5 400594 0 12402 |
| Finish(es) | satın nickel look (F2) |
| packing unit | pack of 2 |
| item number | 5 400594 0 12502 |
| Finish(es) | stainless steel look |
| packing unit | pack of 2 |
| item number | 5 400594 0 12602 |
| Finish(es) | satın-nickel |
| packing unit | pack of 2 |
| item number | 5 400594 0 14402 |
| Finish(es) | satın-chrom |
| packing unit | pack of 2 |
| item number | 5 400594 0 14602 |
| Finish(es) | rustic umber |
| packing unit | pack of 2 |
| item number | 5 400594 0 15602 |
| Finish(es) | bronze metallic |
| packing unit | pack of 2 |
| item number | 5 400594 0 16802 |



block frame



casing frame



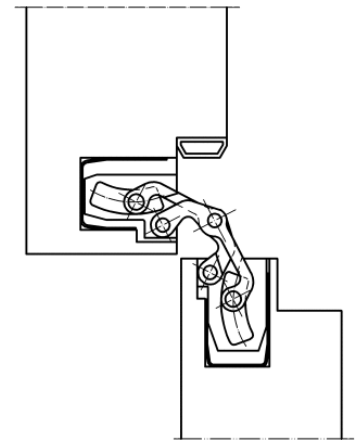
steel frame

SIMONSWERK
TECTUS®

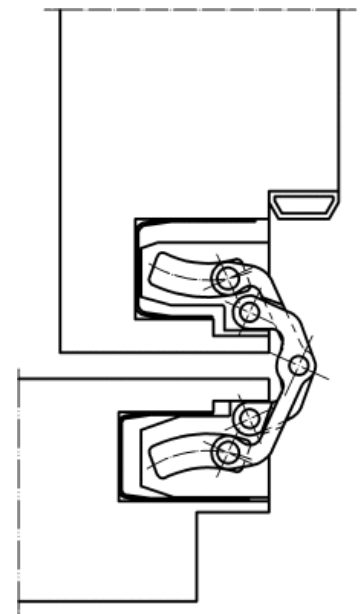
TE 240 3D

for unrebated and rebated flush residential doors

hinge



block frame 90°



block frame 180°

While every due care has been taken, we cannot be held responsible for errors, omissions or defects. We kindly ask for your understanding.

© SIMONSWERK GMBH