

SIMONSWERK TECTUS®

TE 540 3D A8

for unrebated heavy-duty doors with claddings up to 8 mm

hinge

Technical details

load capacity	100,0 kg
overall length	200,0 mm
width (door)	32,0/37,0 mm
width (frame)	32,0/37,0 mm
cutter diameter	24,0 mm
opening angle	180° degree

descriptive text

SIMONSWERK TECTUS hinge TE 540 3D A8 for doors with claddings of up to 8 mm. Completely concealed for unrebated doors with timber, steel and aluminium frames. UL-certified, with comfortable 3D adjustment, load capacity up to 100 kg, opening angle up to 180°, overall length 200 mm, right hand and left hand applicable, maintenance-free slide bearings, three-dimensionally adjustable: side +/- 3,0 mm, height +/- 3,0 mm, compression +/- 1,0 mm. Finish...

Note

The load capacity mentioned above refers to the use of 2 hinges per door leaf (1 x 2 m).

Product features

- completely concealed hinge system
- for timber, steel or aluminium frames
- for unrebated heavy-duty doors
- maintenance-free slide bearings
- with comfortable 3D adjustment (side +/- 3,0 mm, height +/- 3,0 mm, compression +/- 1,0 mm)
- cladding up to 8 mm

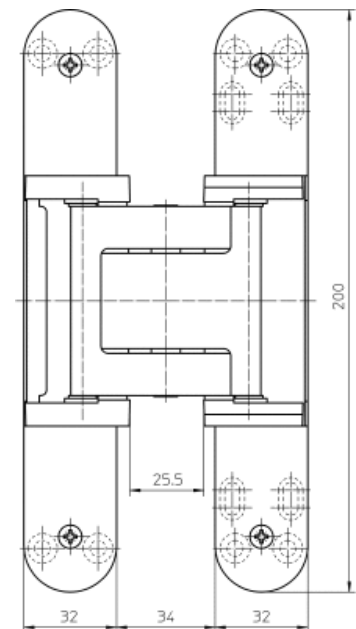
Functional areas

fire resistance, smoke resistance, soundproof und burglar resistance

Classification key

4	7	5	1	1	* ¹	1	12
---	---	---	---	---	----------------	---	----

¹ depending on the finish



front view

Quality marks



SIMONSWERK

TECTUS®

TE 540 3D A8

for unrebated heavy-duty doors with claddings up to 8 mm

hinge

Combination

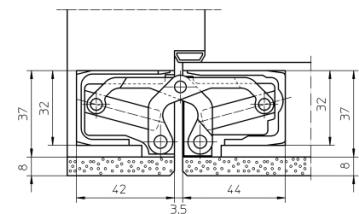
accessories	cover plate set TECTUS A8 radius
receiver	TE 540 3D FZ/1 TE 540 3D A8 SZ

installation tools

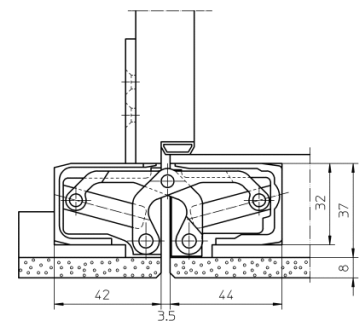
universal milling frame	
template 5 250680 5	step 1
template 5 250681 5	step 2
template 5 250682 5	step 3

Items (DIN reference: DIN right and left hand)

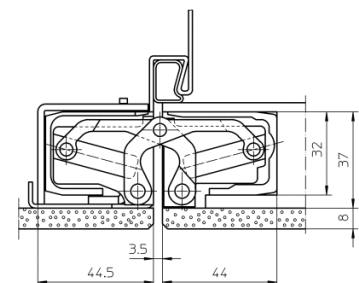
finish(es)	polished brass 030
packing unit	pack of 2
item number	5 400615 0 03002
finish(es)	polished nickelled 038
packing unit	pack of 2
item number	5 400615 0 03802
finish(es)	powder-coated 079
packing unit	EUR-pallet
item number	5 400615 0 07975
finish(es)	F1-coloured 124
packing unit	pack of 2
item number	5 400615 0 12402
finish(es)	F2-coloured 125
packing unit	pack of 2
item number	5 400615 0 12502
finish(es)	stainless steel look 126
packing unit	pack of 2
item number	5 400615 0 12602



block frame



casing frame



steel frame