

# SIMONSWERK

## TECTUS®

### TE 540 3D

for unrebated heavy-duty doors

#### hinge

#### Technical details

load capacity	120,0 kg
overall length	200,0 mm
width (door)	32,0 mm
width (frame)	32,0 mm
cutter diameter	24,0 mm
opening angle	180° degree

#### descriptive text

SIMONSWERK TECTUS hinge TE 540 3D. Completely concealed for unrebated doors with timber, steel and aluminium frames. UL-certified, with comfortable 3D adjustment, load capacity up to 120 kg, opening angle up to 180°, overall length 200 mm, right hand and left hand applicable, maintenance-free slide bearings, three-dimensionally adjustable: side +/- 3,0 mm, height +/- 3,0 mm, compression +/- 1,0 mm. Finish...

#### Note

The load capacity mentioned above refers to the use of 2 hinges per door leaf (1 x 2 m), for detailed information please look at the chapter "technical information".

#### Product features

- completely concealed hinge system
- for timber, steel or aluminium frames
- for unrebated heavy-duty doors
- maintenance-free slide bearings
- with comfortable 3D adjustment (side +/- 3,0 mm, height +/- 3,0 mm, compression +/- 1,0 mm)
- sideways closed hinge body for a homogeneous mortise appearance

#### Functional areas

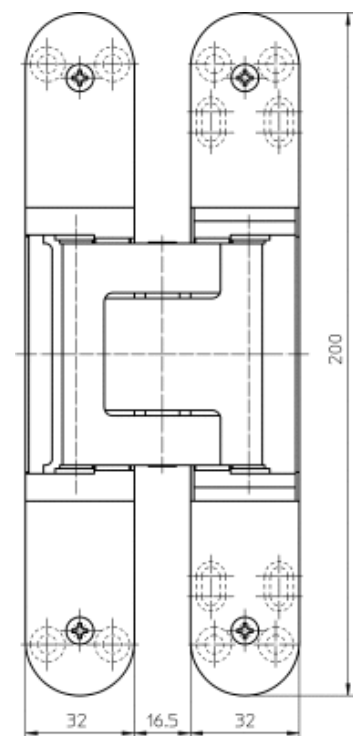
fire resistance, smoke resistance, soundproof und burglar resistance

#### Classification key

4	7	6	1	1	* <sup>1</sup>	1	13
---	---	---	---	---	----------------	---	----

<sup>1</sup> depending on the finish

#### Quality marks



front view

# SIMONSWERK

## TECTUS®

### TE 540 3D

for unrebated heavy-duty doors

#### hinge

#### Combination

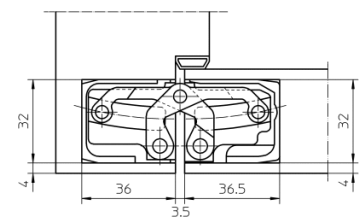
receiver	TE 540 3D FZ/1 TE 540 3D SZ
----------	--------------------------------

#### installation tools

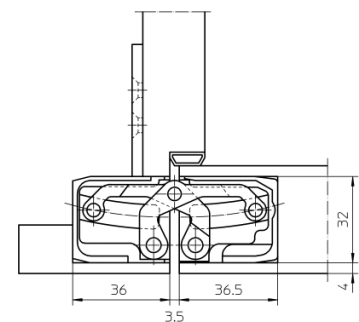
universal milling frame	
template 5 250680 5	step 1
template 5 250681 5	step 2

#### Items (DIN reference: DIN right and left hand)

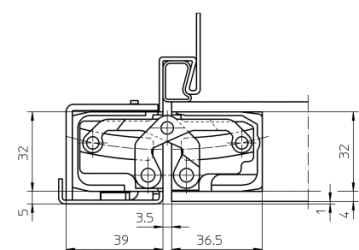
Finish(es)	polished brass
packing unit	pack of 2
item number	5 400611 0 03002
Finish(es)	polished nickelled
packing unit	pack of 2
item number	5 400611 0 03802
Finish(es)	traffic white - RAL 9016
packing unit	pack of 2
item number	5 400611 0 07002
Finish(es)	powder-coated
packing unit	EUR-pallet
item number	5 400611 0 07975
Finish(es)	matte deep black - RAL 9005
packing unit	pack of 2
item number	5 400611 0 10702
Finish(es)	satin chrome look (F1)
packing unit	pack of 2
item number	5 400611 0 12402
Finish(es)	satin nickel look (F2)
packing unit	pack of 2
item number	5 400611 0 12502
Finish(es)	stainless steel look
packing unit	pack of 2
item number	5 400611 0 12602
Finish(es)	satin-nickel
packing unit	pack of 2
item number	5 400611 0 14402
Finish(es)	satin-chrom
packing unit	pack of 2
item number	5 400611 0 14602
Finish(es)	rustic umber
packing unit	pack of 2
item number	5 400611 0 15602
Finish(es)	bronze metallic
packing unit	pack of 2
item number	5 400611 0 16802



block frame



casing frame



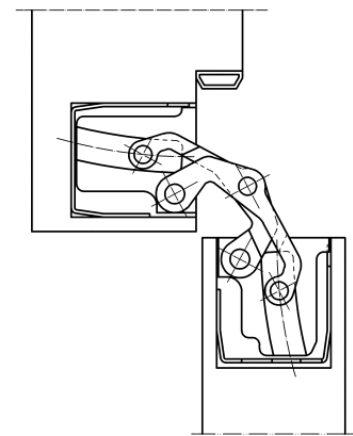
steel frame

# SIMONSWERK TECTUS®

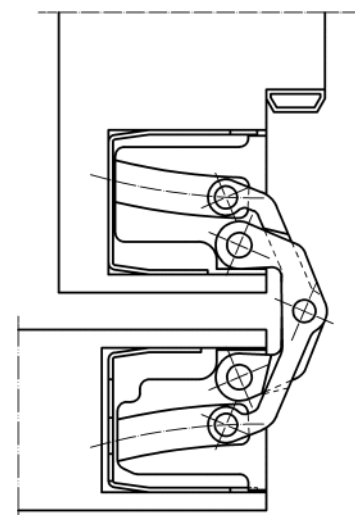
## TE 540 3D

for unrebated heavy-duty doors

hinge



block frame 90°



block frame 180°