

SIMONSWERK

TECTUS®

TE 640 3D

for unrebated high performance heavy-duty doors

hinge

Technical details

load capacity	200,0 kg
overall length	240,0 mm
width (door)	32,0 mm
width (frame)	32,0 mm
cutter diameter	24,0 mm
opening angle	180° degree

descriptive text

SIMONSWERK TECTUS hinge TE 640 3D. Completely concealed for unrebated, heavy-duty doors with timber, steel and aluminium frames. UL-certified, with comfortable 3D adjustment, load capacity up to 200 kg, opening angle up to 180°, overall length 240 mm, right hand and left hand applicable, maintenance-free slide bearings, three-dimensionally adjustable: side +/- 3,0 mm, height +/- 3,0 mm, compression +/- 1,0 mm. Finish...

Note

The load capacity mentioned above refers to the use of 2 hinges per door leaf (1 x 2 m), for detailed information please look at the chapter "technical information".

Product features

- completely concealed hinge system
- for timber, steel or aluminium frames
- for unrebated high performance heavy-duty doors
- maintenance-free slide bearings
- with comfortable 3D adjustment (side +/- 3,0 mm, height +/- 3,0 mm, compression +/- 1,0 mm)
- sideways closed hinge body for a homogeneous mortise appearance

Functional areas

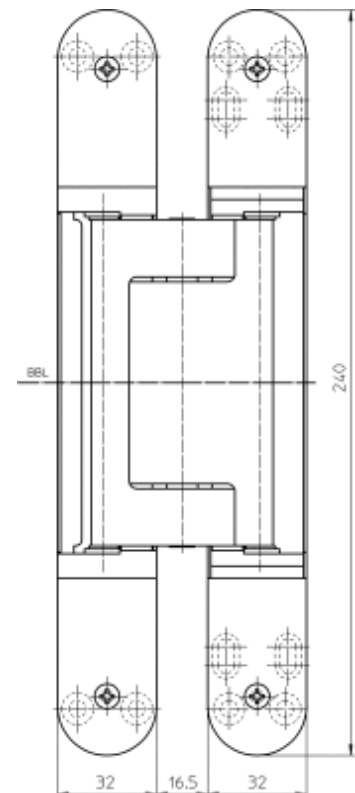
fire resistance, smoke resistance, soundproof und burglar resistance

Classification key

4	7	8	1	1	* ¹	1	15
---	---	---	---	---	----------------	---	----

¹ depending on the finish

Quality marks



SIMONSWERK

TECTUS®

TE 640 3D

for unrebated high performance heavy-duty doors

hinge

Combination

receiver	TE 640 3D FZ/1 TE 640 3D SZ
----------	--------------------------------

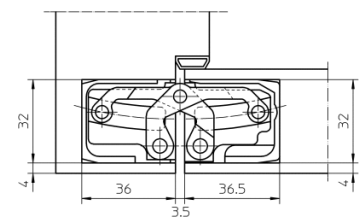
installation tools

universal milling frame	
template 5 250659 5	step 1
template 5 250689 5	step 2

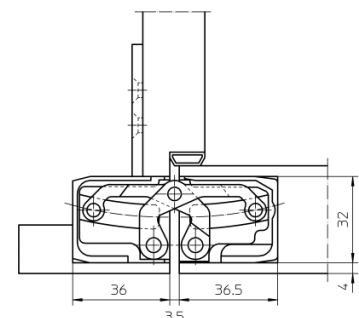
Items (DIN reference: DIN right and left hand)

Finish(es)	polished brass
packing unit	pack of 2
item number	5 400613 0 03002
Finish(es)	polished nickelled
packing unit	pack of 2
item number	5 400613 0 03802
Finish(es)	traffic white - RAL 9016
packing unit	pack of 2
item number	5 400613 0 07002
Finish(es)	powder-coated
packing unit	EUR-pallet
item number	5 400613 0 07975
Finish(es)	matte deep black - RAL 9005
packing unit	pack of 2
item number	5 400613 0 10702
Finish(es)	satin chrome look (F1)
packing unit	pack of 2
item number	5 400613 0 12402
Finish(es)	satin nickel look (F2)
packing unit	pack of 2
item number	5 400613 0 12502
Finish(es)	stainless steel look
packing unit	pack of 2
item number	5 400613 0 12602
Finish(es)	satin-nickel
packing unit	pack of 2
item number	5 400613 0 14402
Finish(es)	satin-chrom
packing unit	pack of 2
item number	5 400613 0 14602
Finish(es)	rustic umber
packing unit	pack of 2
item number	5 400613 0 15602
Finish(es)	bronze metallic
packing unit	pack of 2
item number	5 400613 0 16802

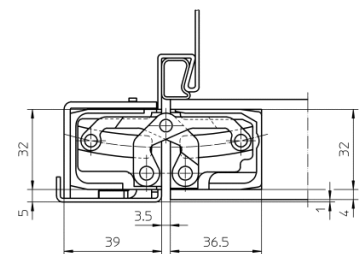
front view



block frame



casing frame



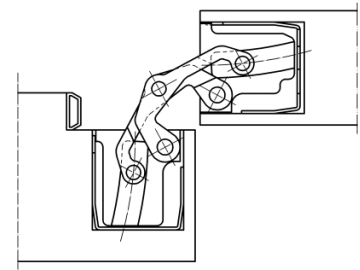
steel frame

SIMONSWERK TECTUS®

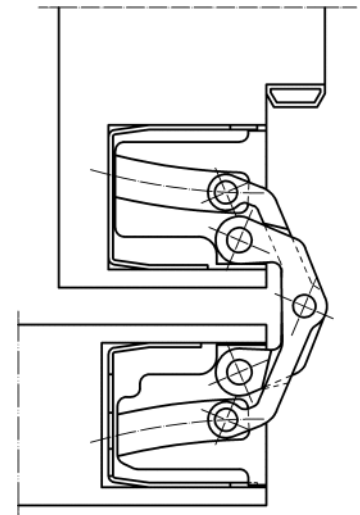
TE 640 3D

for unrebated high performance heavy-duty doors

hinge



block frame 90°



block frame 180°